

**OMRON**

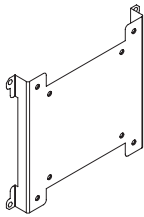
# FZ-VESA

VESA Attachment

## INSTRUCTION SHEET

Thank you for selecting OMRON product. This sheet primarily describes precautions required in installing and operating the product.

Before operating the product, read the sheet thoroughly to acquire sufficient knowledge of the product. For your convenience, keep the sheet at your disposal.



© OMRON Corporation 2006 All Rights Reserved.

## Precautions for Use

- When installing the product on the stand and arm based on the VESA standard, care should be taken not to cause the screw tip to come into contact with the back of the controller. This may damage the controller.

An index of the screw length is as follows:

Screw diameter: M4

Screw length (L):  $L < T + 12$  mm

\* Thickness of the other side to be installed: T

- Securely tighten all screws when installing.

## Features

Installing this product on the back of the controller allows installation on the stand and arm based on the VESA standard.

Mounting hole pitch supports two types of 75 mm and 100 mm.

## Checking the Package

Check that the following items are included in the box.

- VESA attachment (this product) ..... 1 piece
- Mounting screws (M3 × 5 mm) ..... 4 pieces

## How to Install onto the Controller

- Install this product on the back of the controller with the supplied screws (M3 × 5 mm) as shown in the diagram below.

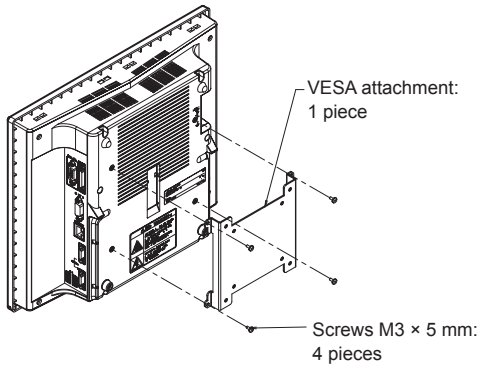
Index of tightening torque: 0.49 N·m

- Install it on the arm based on the VESA standard with screws shown below.

Screw diameter: M4

Screw length (L):  $L < T + 12$  mm

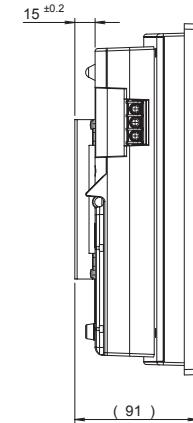
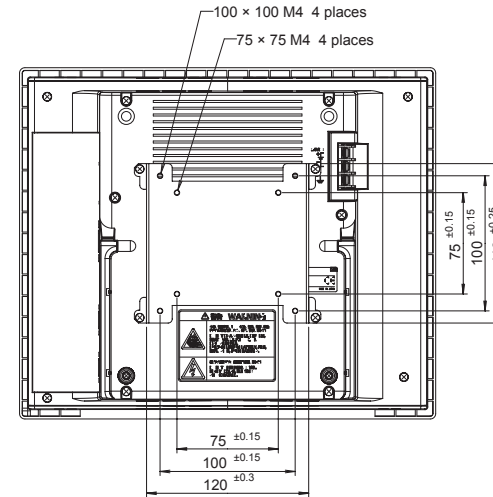
\* Thickness of the other side to be installed: T



## General Specifications

Material	SPCC
Thickness	1.6 mm
Weight	Approx. 180 g
Vibration resistance	10 to 150 Hz at a single-amplitude of 0.1 mm (maximum acceleration: 15 m/s <sup>2</sup> ), 10 times for 8 minutes each in 3 directions (State in which the controller is installed with this product attached.)
Shock resistance	150 m/s <sup>2</sup> : 3 times each in 6 directions (State in which the controller is installed with this product attached.)

## External Dimensions



(Unit: mm)

## Suitability for Use

THE PRODUCTS CONTAINED IN THIS SHEET ARE NOT SAFETY RATED. THEY ARE NOT DESIGNED OR RATED FOR ENSURING SAFETY OF PERSONS, AND SHOULD NOT BE RELIED UPON AS A SAFETY COMPONENT OR PROTECTIVE DEVICE FOR SUCH PURPOSES. Please refer to separate catalogs for OMRON's safety rated products.

OMRON shall not be responsible for conformity with any standards, codes, or regulations that apply to the combination of the products in the customer's application or use of the product.

Take all necessary steps to determine the suitability of the product for the systems, machines, and equipment with which it will be used. Know and observe all prohibitions of use applicable to this product.

NEVER USE THE PRODUCTS FOR AN APPLICATION INVOLVING SERIOUS RISK TO LIFE OR PROPERTY WITHOUT ENSURING THAT THE SYSTEM AS A WHOLE HAS BEEN DESIGNED TO ADDRESS THE RISKS, AND THAT THE OMRON PRODUCT IS PROPERLY RATED AND INSTALLED FOR THE INTENDED USE WITHIN THE OVERALL EQUIPMENT OR SYSTEM.

See also Product catalog for Warranty and Limitation of Liability.

### EUROPE

OMRON EUROPE B.V. Sensor Business Unit  
Carl-Benz Str.4, D-71154 Nufringen Germany  
Phone:49-7032-811-0 Fax: 49-7032-811-199

### NORTH AMERICA

OMRON ELECTRONICS LLC  
One Commerce Drive Schaumburg, IL 60173-5302 U.S.A  
Phone:1-847-843-7900 Telephone Consultation  
1-800-55-OMRON Fax : 1-847-843-7787

### ASIA-PACIFIC

OMRON ASIA PACIFIC PTE LTD  
83 Clemenceau Avenue, #11-01 UE Square, Singapore 239920  
Phone : 65-6-835-3011 /Fax :65-6-835-2711

**OMRON Corporation**