

**V600 RFID System**

**V600-CD1D-V□**

# **Serial Interface ID Controller**

# **OPERATION MANUAL**

**OMRON**

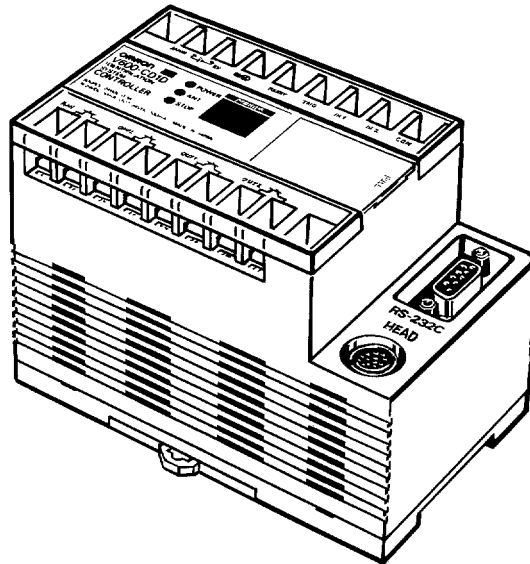
# V600 RFID System

## V600-CD1D-V□

### Serial Interface ID Controller

### Operation Manual

*Revised December 2004*



## **READ AND UNDERSTAND THIS DOCUMENT**

Please read and understand this document before using the products. Please consult your OMRON representative if you have any questions or comments.

## **WARRANTY**

OMRON's exclusive warranty is that the products are free from defects in materials and workmanship for a period of one year (or other period if specified) from date of sale by OMRON.

OMRON MAKES NO WARRANTY OR REPRESENTATION, EXPRESS OR IMPLIED, REGARDING NON-INFRINGEMENT, MERCHANTABILITY, OR FITNESS FOR PARTICULAR PURPOSE OF THE PRODUCTS. ANY BUYER OR USER ACKNOWLEDGES THAT THE BUYER OR USER ALONE HAS DETERMINED THAT THE PRODUCTS WILL SUITABLY MEET THE REQUIREMENTS OF THEIR INTENDED USE. OMRON DISCLAIMS ALL OTHER WARRANTIES, EXPRESS OR IMPLIED.

## **LIMITATIONS OF LIABILITY**

OMRON SHALL NOT BE RESPONSIBLE FOR SPECIAL, INDIRECT, OR CONSEQUENTIAL DAMAGES, LOSS OF PROFITS OR COMMERCIAL LOSS IN ANY WAY CONNECTED WITH THE PRODUCTS, WHETHER SUCH CLAIM IS BASED ON CONTRACT, WARRANTY, NEGLIGENCE, OR STRICT LIABILITY.

In no event shall responsibility of OMRON for any act exceed the individual price of the product on which liability is asserted.

IN NO EVENT SHALL OMRON BE RESPONSIBLE FOR WARRANTY, REPAIR, OR OTHER CLAIMS REGARDING THE PRODUCTS UNLESS OMRON'S ANALYSIS CONFIRMS THAT THE PRODUCTS WERE PROPERLY HANDLED, STORED, INSTALLED, AND MAINTAINED AND NOT SUBJECT TO CONTAMINATION, ABUSE, MISUSE, OR INAPPROPRIATE MODIFICATION OR REPAIR.

## **SUITABILITY FOR USE**

THE PRODUCTS CONTAINED IN THIS DOCUMENT ARE NOT SAFETY RATED. THEY ARE NOT DESIGNED OR RATED FOR ENSURING SAFETY OF PERSONS, AND SHOULD NOT BE RELIED UPON AS A SAFETY COMPONENT OR PROTECTIVE DEVICE FOR SUCH PURPOSES. Please refer to separate catalogs for OMRON's safety rated products.

OMRON shall not be responsible for conformity with any standards, codes, or regulations that apply to the combination of products in the customer's application or use of the product.

At the customer's request, OMRON will provide applicable third party certification documents identifying ratings and limitations of use that apply to the products. This information by itself is not sufficient for a complete determination of the suitability of the products in combination with the end product, machine, system, or other application or use.

The following are some examples of applications for which particular attention must be given. This is not intended to be an exhaustive list of all possible uses of the products, nor is it intended to imply that the uses listed may be suitable for the products:

- Outdoor use, uses involving potential chemical contamination or electrical interference, or conditions or uses not described in this document.
- Nuclear energy control systems, combustion systems, railroad systems, aviation systems, medical equipment, amusement machines, vehicles, safety equipment, and installations subject to separate industry or government regulations.
- Systems, machines, and equipment that could present a risk to life or property.

Please know and observe all prohibitions of use applicable to the products.

NEVER USE THE PRODUCTS FOR AN APPLICATION INVOLVING SERIOUS RISK TO LIFE OR PROPERTY WITHOUT ENSURING THAT THE SYSTEM AS A WHOLE HAS BEEN DESIGNED TO ADDRESS THE RISKS, AND THAT THE OMRON PRODUCT IS PROPERLY RATED AND INSTALLED FOR THE INTENDED USE WITHIN THE OVERALL EQUIPMENT OR SYSTEM.

## **PERFORMANCE DATA**

Performance data given in this document is provided as a guide for the user in determining suitability and does not constitute a warranty. It may represent the result of OMRON's test conditions, and the users must correlate it to actual application requirements. Actual performance is subject to the OMRON Warranty and Limitations of Liability.

## **CHANGE IN SPECIFICATIONS**

Product specifications and accessories may be changed at any time based on improvements and other reasons.

It is our practice to change model numbers when published ratings or features are changed, or when significant construction changes are made. However, some specifications of the product may be changed without any notice. When in doubt, special model numbers may be assigned to fix or establish key specifications for your application on your request. Please consult with your OMRON representative at any time to confirm actual specifications of purchased products.

## **DIMENSIONS AND WEIGHTS**

Dimensions and weights are nominal and are not to be used for manufacturing purposes, even when tolerances are shown.

## **ERRORS AND OMISSIONS**

The information in this document has been carefully checked and is believed to be accurate; however, no responsibility is assumed for clerical, typographical, or proofreading errors, or omissions.

## **PROGRAMMABLE PRODUCTS**

OMRON shall not be responsible for the user's programming of a programmable product, or any consequence thereof.

## **COPYRIGHT AND COPY PERMISSION**

This document shall not be copied for sales or promotions without permission.

This document is protected by copyright and is intended solely for use in conjunction with the product. Please notify us before copying or reproducing this document in any manner, for any other purpose. If copying or transmitting this document to another, please copy or transmit it in its entirety.

## Meanings of Signal Words

The following signal words are used in this manual.



Indicates a potentially hazardous situation which, if not avoided, will result in minor or moderate injury, or may result in serious injury or death. Additionally there may be significant property damage.



Indicates a potentially hazardous situation which, if not avoided, may result in minor or moderate injury or in property damage.

## Meanings of Alert Symbols

The following alert symbols are used in this manual.



Indicates the possibility of explosion under specific conditions.

## Alert Statements in this Manual

The following alert statements apply to the products in this manual. Each alert statement also appears at the locations needed in this manual to attract your attention.



A lithium battery is provided with the Data Carrier in order to backup the memory. When the battery life ends, do not throw the battery into fire as it may explode.



## **Notice:**

OMRON products are manufactured for use according to proper procedures by a qualified operator and only for the purposes described in this manual.

The following conventions are used to indicate and classify precautions in this manual. Always heed the information provided with them. Failure to heed precautions can result in injury to people or damage to property.

## **OMRON Product References**

All OMRON products are capitalized in this manual. The word "Unit" is also capitalized when it refers to an OMRON product, regardless of whether or not it appears in the proper name of the product.

The abbreviation "Ch," which appears in some displays and on some OMRON products, often means "word" and is abbreviated "Wd" in documentation in this sense.

The abbreviation "PC" means Programmable Controller and is not used as an abbreviation for anything else.

## **Visual Aids**

The following headings appear in the left column of the manual to help you locate different types of information.

**Note** Indicates information of particular interest for efficient and convenient operation of the product.

**1, 2, 3...** 1. Indicates lists of one sort or another, such as procedures, checklists, etc.

## **© OMRON, 1992**

All rights reserved. No part of this publication may be reproduced, stored in a retrieval system, or transmitted, in any form, or by any means, mechanical, electronic, photocopying, recording, or otherwise, without the prior written permission of OMRON.

No patent liability is assumed with respect to the use of the information contained herein. Moreover, because OMRON is constantly striving to improve its high-quality products, the information contained in this manual is subject to change without notice. Every precaution has been taken in the preparation of this manual. Nevertheless, OMRON assumes no responsibility for errors or omissions. Neither is any liability assumed for damages resulting from the use of the information contained in this publication.

# TABLE OF CONTENTS

<b>SECTION 1</b>	
<b>Features and System Configuration</b> .....	<b>1</b>
1-1 Features .....	2
1-2 System Configuration .....	4
1-3 Outline of Operation .....	5
1-4 User I/O .....	6
<b>SECTION 2</b>	
<b>Nomenclature and Dimensions</b> .....	<b>7</b>
2-1 Names and Functions of Parts .....	8
2-2 Dimensions .....	10
<b>SECTION 3</b>	
<b>Switch Setting and Wiring</b> .....	<b>11</b>
3-1 DIP Switch Setting .....	12
3-2 Installation Environment .....	16
3-3 Mounting of ID Controller .....	16
3-4 Connecting Connector .....	17
3-5 Wiring .....	18
3-6 RS-232C Interface Connection .....	20
<b>SECTION 4</b>	
<b>Communications</b> .....	<b>23</b>
4-1 Movement of Data Carrier and Command Status .....	24
4-2 Memory Map of Data Carrier .....	28
4-3 Command Format .....	32
4-4 Types of Commands and Responses .....	36
4-5 Example of Communications Program .....	48
<b>SECTION 5</b>	
<b>Testing</b> .....	<b>49</b>
5-1 Test Run .....	50
5-2 Diagnostics .....	52
5-3 Error Lists .....	53
5-4 Checking the Data Carrier Life .....	54
5-5 Checking Function of the Data Carrier's Memory .....	58
5-6 Troubleshooting .....	61
5-7 Maintenance and Inspection .....	62
5-8 Systems Check .....	63
<b>Appendices</b>	
A Codes .....	69
B Auto Read/Auto Write .....	71
C Specifications and Ratings .....	73
D Conformity to Standards .....	77
<b>Revision History</b> .....	<b>81</b>

## ***About this Manual:***

This manual describes the operation of the V600/620 RFID System and includes the sections described below.

Please read this manual completely and be sure you understand the information provided before attempting to operate the system.

**Section 1** Provides a general introduction to the RFID System and the ID Controller.

**Section 2** Provides the names and functions of the ID Controller parts and also provides the ID Controller's dimensions.

**Section 3** Provides the DIP switch settings and the wiring instructions required before operating the ID Controller.

**Section 4** Provides information on the communications aspects of the RFID System.

**Section 5** Provides the information required to test and maintain the performance of the RFID System.

**Appendix A** Provides a list containing JIS 8 codes and ASCII.

**Appendix B** Provides instructions on the use of the auto read/auto write commands.

**Appendix C** Provides the specifications and ratings of the ID Controller.

### **WARNING**

Failure to read and understand the information provided in this manual may result in personal injury or death, damage to the product, or product failure. Please read each section in its entirety and be sure you understand the information provided in the section and related sections before attempting any of the procedures or operations given.



# SECTION 1

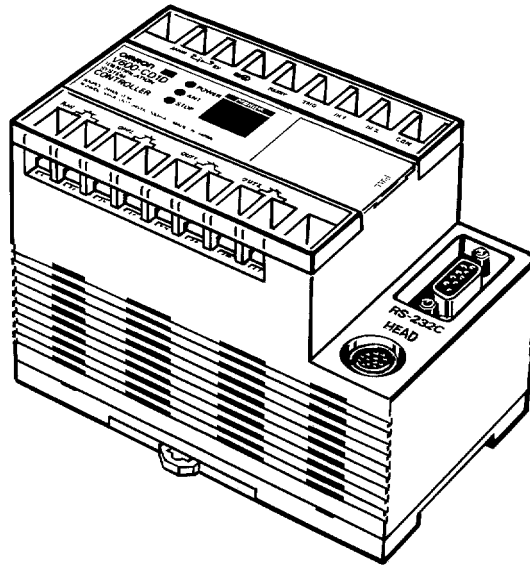
## Features and System Configuration

This section provides a general introduction to the RFID System and the ID Controller.

1-1	Features .....	2
1-2	System Configuration .....	4
1-3	Outline of Operation .....	5
1-4	User I/O .....	6

## 1-1 Features

V600 RFID System offers powerful support to the automation of large-scale distributed control systems and multi-model small-scale production systems by means of contactless data communication.



### Easy to Use

- Significantly shortens the communication tact time with moving pallets.
- A RS-232C interface that can be connected to a general-purpose factory computer or personal computer is provided. Using simple commands, a large quantity of data can be processed easily.
- Compact size allows for flexible applications within increasingly complicated production systems.
- Up to 2 KBytes of data can be read/written by batch commands, thus shortening the work processing time.
- The write command repeat function simplifies data transmission between the ID Controller and host controller.
- Two user inputs and two user outputs that can be manipulated by commands help reduce system organization costs.
- Command end codes are displayed on-screen for checking operating status and facilitating system maintenance.
- Records up to 30 errors which may occur during operation for the quick investigation into causes of system abnormalities.
- Testing communications with a Data Carrier (DC) can be performed off-line. This facilitates installation of the Read/Write (R/W) Head and DC when organizing the system.
- Conforms to EN standards.  
The V600-CD1D-V3 and newer versions conform to EN standards (EN 50081-2, EN 50082-2).

### Comparing the V600-CD1D and V600-CD1D-V2

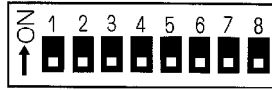
The V600-CD1D-V2 incorporates all the functions of the V600-CD1D plus the following new features. It is possible to replace the V600-CD1D with the V600-CD1D-V2 which is simply an upgraded version of the V600-CD1D.

The V600-CD1D-V2 makes it possible to write and read data to and from the EEPROM-type (batteryless-type) V600-D□□P□□ Data Carrier (DC). The

**Connecting to  
EEPROM-type  
(Batteryless-type) Data  
Carrier**

V600-CD1D-V2 has two modes: the distance priority mode and speed priority mode, which are selected with DIP switch 1 for reading data from the EEPROM-type DC. These modes does not work with SRAM-type DCs.

**DIP Switch 1**



**Note** The V600-CD1D-V2 is set to local communications mode when SW7 is ON.

**New Commands**

The V600-CD1D-V2 incorporates the following new data management commands in order to confirm the reliability of the internal data of the Data Carrier (DC).

Function	Command	Processing contents
Checking data	MDK	By adding a check code to the internal data of the DC, any data errors due to the SRAM-type DC battery or the number of overwriting operations of the EEPROM-type DC will be detected.
	MDC	The MDK command is used to read the check code and the MDC command is used to check the check code. The MDK command is always used in combination with the MDC command.
Checking the number of overwriting operations	MDL	By counting the number of overwriting operations, the life of the EEPROM-type DC will be detected. The EEPROM-type DC can be overwritten 100,000 times.
	MDS	The life of the EEPROM-type DC will be detected by using a preset number of overwriting operations.

**Flashing Monitor Function** If an error occurs, the display for the code monitor flashes. The display does not flash if the normal end code or warning code is returned.

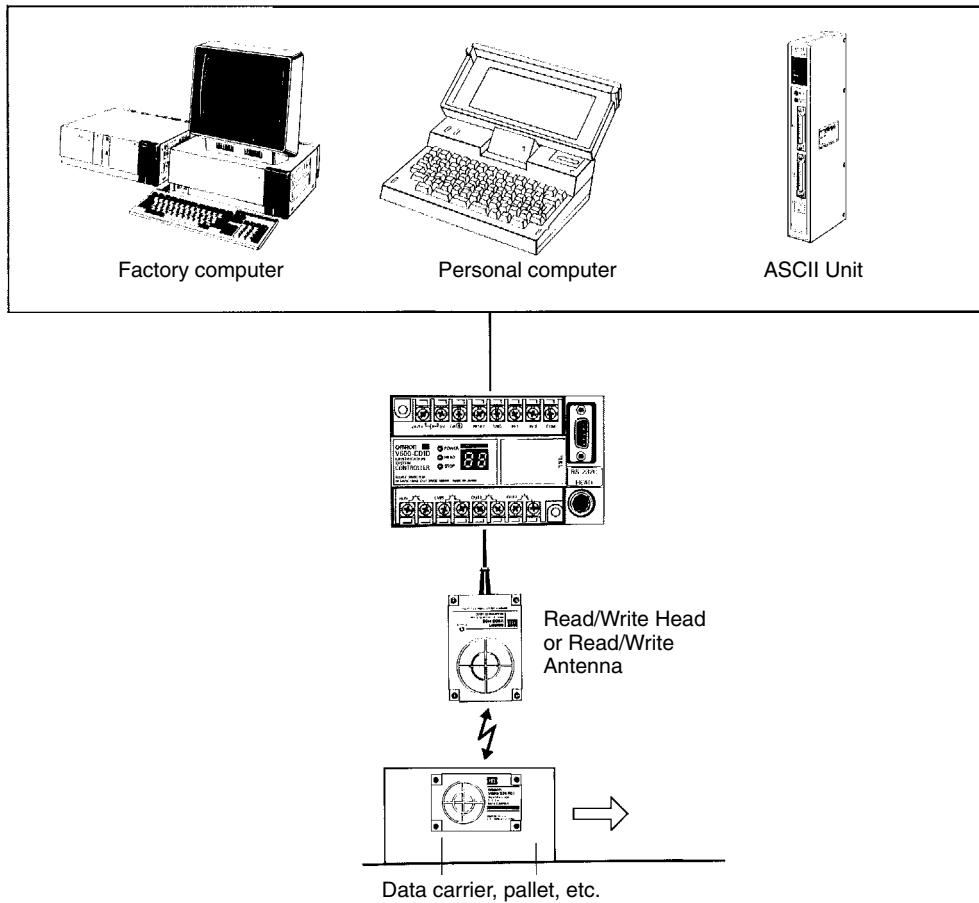
**Note** The MDS command can be used on ID Controller version 2.1 or later. See page 76 for instructions on checking the version.

**Comparing the V600-CD1D-V2 and V600-CD1D-V3**

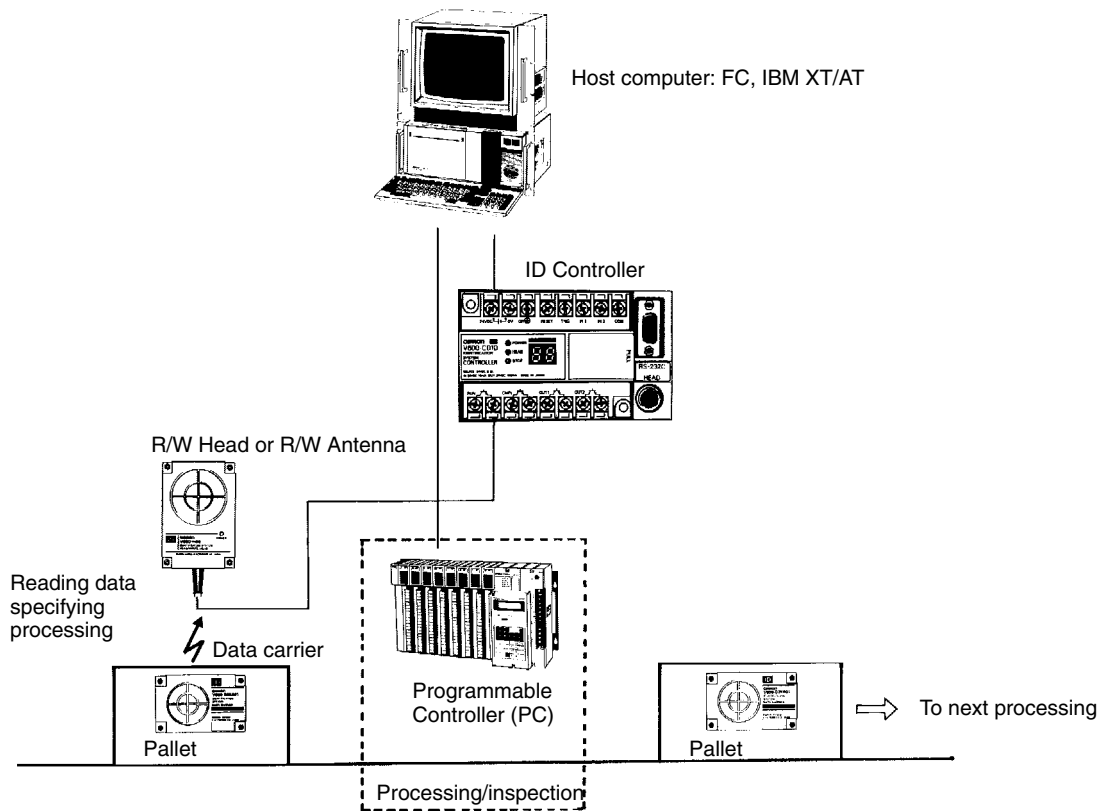
The V600-CD1D-V3 conforms to EC Directives while the V600-CD1D-V2 only conforms to UL and CSA standards.

## 1-2 System Configuration

Being equipped with a serial interface conforming to RS-232C, the ID Controller V600-CD1D-V□ can communicate with general-purpose factory computers (FC) and personal computers (IBM XT/AT compatible). Communications processing is performed using the commands from a host computer (FC, IBM XT/AT compatible) in the RUN mode.



### 1-3 Outline of Operation



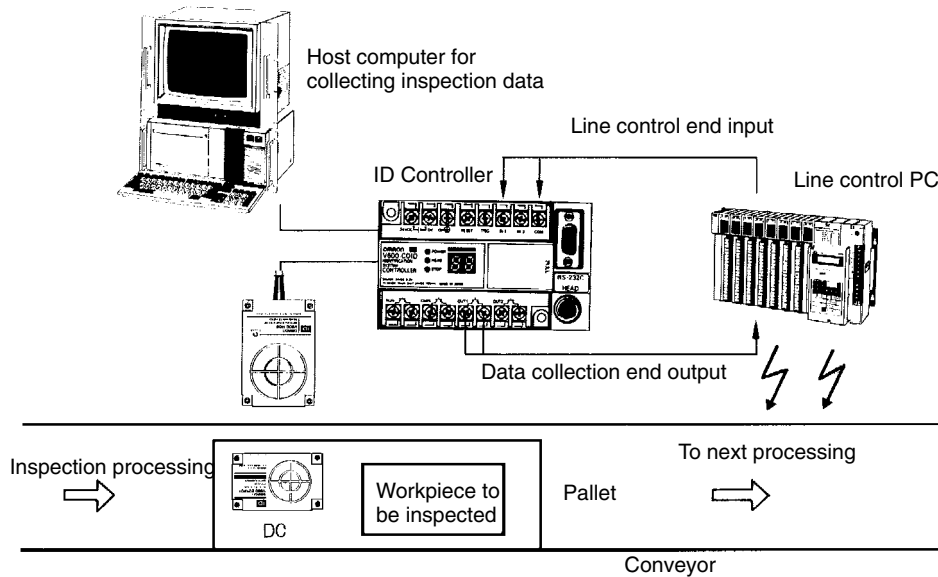
When a command is sent from the host computer (FC, IBM XT/AT compatible) to the ID Controller, the R/W Head (or R/W Antenna) enters the stand-by state, waiting for a signal from the DC.

When a DC enters the area where it can communicate with the R/W Head, the data (model number and data for processing or inspection) of a memory area specified by the command can be written or read to or from the DC or a response transmitted to the host computer. For example, when the memory contents of the DC have been read, the host computer transmits a command on how to process or test a workpiece to a Programmable Controller (PC).

When the processing or testing has been completed, the PC transmits process or test data to the host computer.

## 1-4 User I/O

The ID Controller is equipped with two user outputs that can be turned ON/OFF by a command from the host controller, and also two user inputs whose ON/OFF status can be read. These I/Os can be manipulated independently of each other, so that ON/OFF signals can be processed easily and at low cost by a host computer. The following figure shows an example in which the ID Controller is used for batch reading of test data.



### Outline of Operation

- 1, 2, 3...
1. When there is a workpiece to be tested, the PC controlling the line instructs the conveyor to stop the workpiece at a predetermined place.
  2. When the workpiece has been stopped, the PC issues a signal indicating that the line control action has been completed.
  3. A host computer reads the signal to the ID Controller through a user input, and reads the test data.
  4. When the test data has been read, the host computer issues a data collection completion signal through the user output of the ID Controller.
  5. In response to the data collection completion signal, the PC sends the workpiece to the next process.

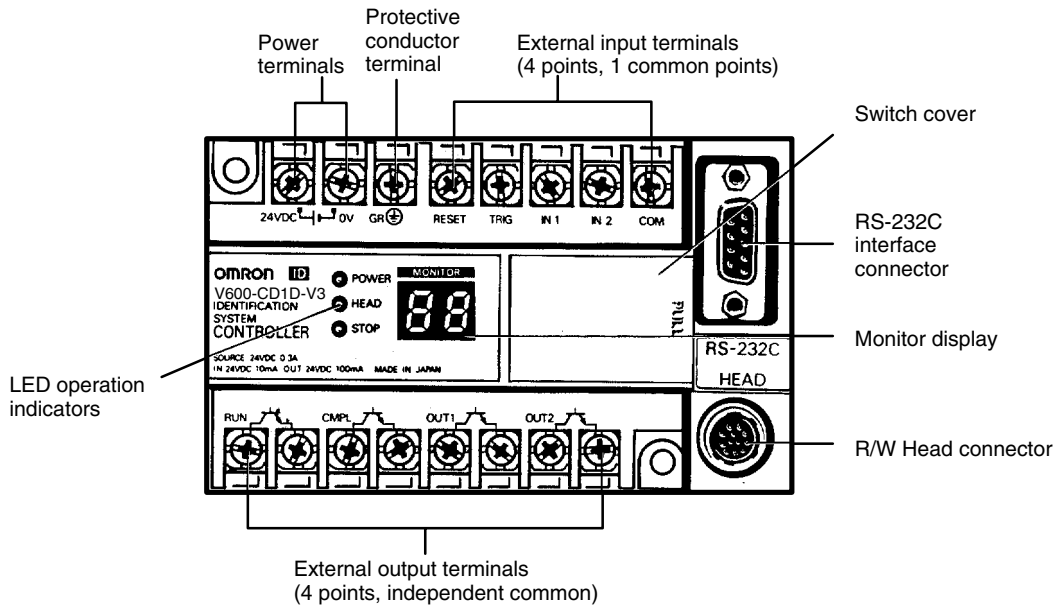
## **SECTION 2**

# **Nomenclature and Dimensions**

This section provides the names and functions of the ID Controller parts as well as the ID Controller's dimensions.

2-1	Names and Functions of Parts .....	8
2-2	Dimensions .....	10

## 2-1 Names and Functions of Parts



### Operation Indicators

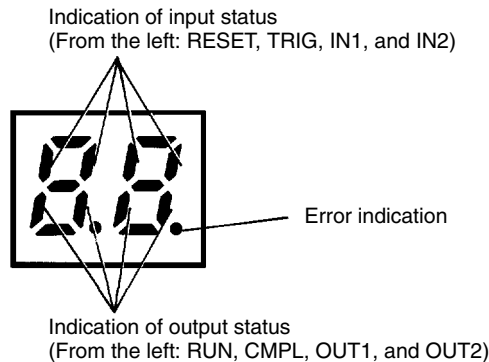
Name	Color	Function
POWER	Green	Lit when power is supplied.
HEAD	Yellow	Lit when R/W Head is executing communications processing.
STOP	Red	Lit when an error (such as CPU error or memory error) has occurred or when external reset signal has been input.

### Monitor Display

- 1, 2, 3... 1. Error Display Mode: Displays end code of command processing. The end code is displayed as a 2-digit hexadecimal number.

Hexadecimal	0	1	2	3	4	5	6	7	8	9	A	B	C	D	E	F
Indication	0	1	2	3	4	5	6	7	8	9	A	b	C	d	E	F


2. I/O Display Mode: Displays the ON/OFF status of the I/O terminal and indicates the occurrence of an error.



**Note** The Display Mode is set by the internal DIP switch.



**Power Supply and External Output Terminals**

Name	Function
24VDC/0V	Supplies 24 VDC
GR 	Protective conductor terminal. Connect a ground line grounded at less than 100 Ω.
RESET	External reset input for emergency stop.
TRIG	Trigger input informing the Controller of the processing start time of the DC. The conditions under which this input signal is to be issued can be set by the DIP switch.
IN1	User input 1 that can be manipulated by a command.
IN2	User input 2 that can be manipulated by a command.
COM	Common input terminal.

**External Output Terminals**

Name	Function
RUN	Turns ON when the ID Controller operates normally and can communicate with the host controller. This signal is turned OFF in the test mode.
CMPL	Turns ON when communications with the DC have been completed, and turns OFF when transmission of a response has started.
OUT1	User output 1 that can be manipulated by a command.
OUT2	User output 2 that can be manipulated by a command.

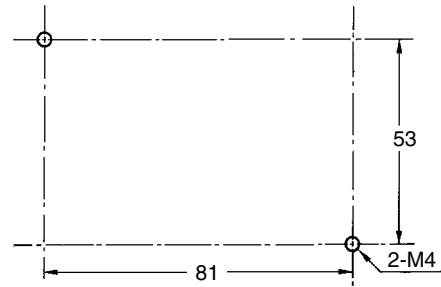
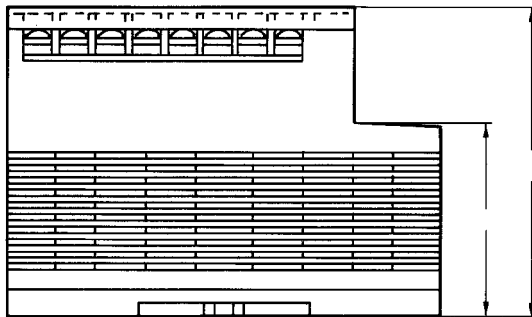
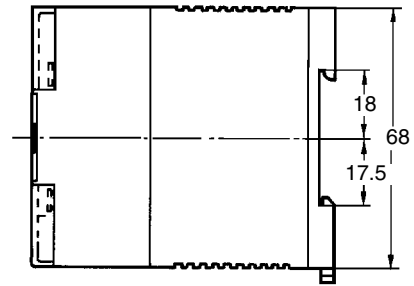
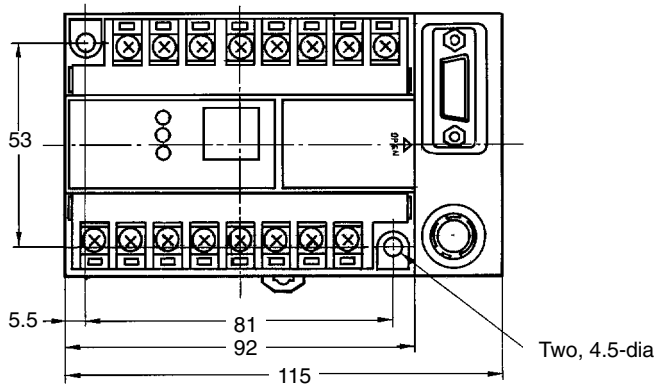
**R/W Head Connector**

Connects the R/W Head (R/W Antenna).

**RS-232C Interface Connector**

Connector for communications with the host computer. Conforming to RS-232C, this connector can be connected to a general-purpose factory computer or personal computer.

### 2-2 Dimensions



# SECTION 3

## Switch Setting and Wiring

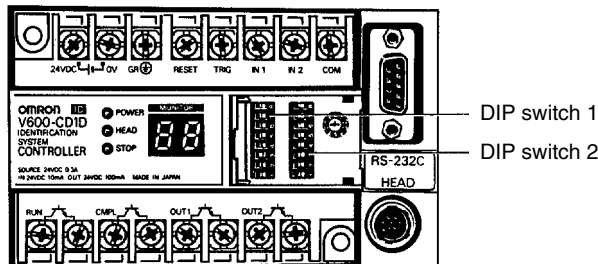
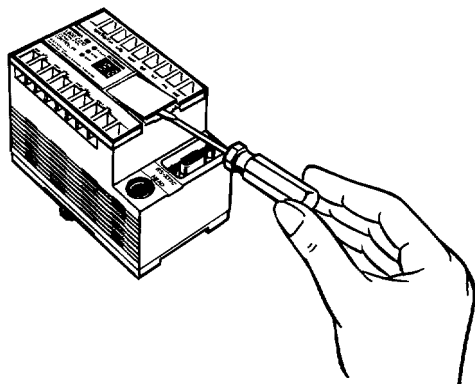
This section provides the DIP switch settings and wiring instructions required before operating the ID Controller.

3-1	DIP Switch Setting .....	12
3-2	Installation Environment .....	16
3-3	Mounting of ID Controller .....	16
3-4	Connecting Connector .....	17
3-5	Wiring .....	18
3-6	RS-232C Interface Connection .....	20

### 3-1 DIP Switch Setting

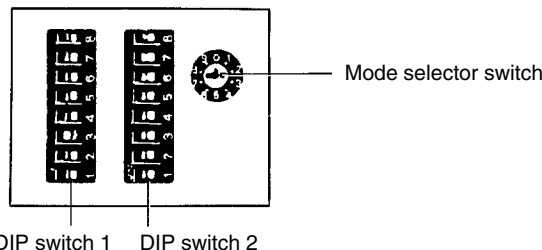
The communications interface is set by the DIP switches on the ID Controller. To gain access to the DIP switches, remove the cover on the monitor unit connector. Set the DIP switches in accordance with the communication specifications of the host computer.

#### Connector Cover Removal



Slide the connector cover upward. Insert the tip of a flat-blade screwdriver into the notch at the right of the cover and remove the cover.

#### Switch Cover



When the switch cover is opened, a mode selector switch and two DIP switches, 1 and 2, are visible.

#### Setting

##### Mode Selector Switch

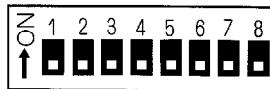
The ID Controller operates as follows depending on the mode selector switch setting.

Settings	Mode	Operation
0	RUN	Operates as specified by command from host controller. Although the IC Controller operates in the same manner regardless of where the selector switch is set (positions 0 through 3), set the switch to position 0.
1		
2		
3		
4	TEST	Continuously reads 1 byte from address 0000 (read test).
5		Continuously writes 1 byte from address 0000 (write test).
6		RESERVED
7	Used by manufacturer for repairs.	
8 and 9	Inhibited	

**Note** Do not set switches 7 through 9 during normal operation. The Mode is set to "0" when the unit is delivered.

Dip Switch Settings

**DIP Switch 1**



SW1	Display mode
0	Error Display Mode
1	I/O Display Mode

SW2	SW3	Transmission speed (bps)
0	0	2,400
0	1	4,800
1	0	9,600
1	1	19,200

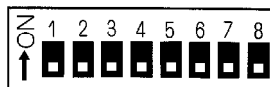
SW4	SW5	SW6	Data length (bit)	STOP bits (bit)	Parity type
0	0	0	7	2	Even
0	0	1	7	2	Odd
0	1	0	7	1	Even
0	1	1	7	1	Odd
1	0	0	8	2	None
1	0	1	8	1	None
1	1	0	8	1	Even
1	1	1	8	1	Odd

SW7	Local communications mode setting
1	Speed priority mode
0	Distance priority mode

The setting of SW7 is only valid if the EEPROM-type (batteryless-type) Data Carrier (DC) is accessed. The setting of SW7 does not work with the SRAM-type (battery-type) DC. Refer to the *R/W Head Manual* and *Data Carrier Manual* for details. SW7 must be set to OFF when the V620 is used.

SW8 is not used. (Keep it switched OFF.)

**DIP Switch 2**



SW1	SW2	Synchronous condition
0	0	OFF (LL level)
0	1	ON (HL level)
1	0	Trailing edge
1	1	Leading edge

SW3 through SW7 are not used. (Keep them switched OFF.)

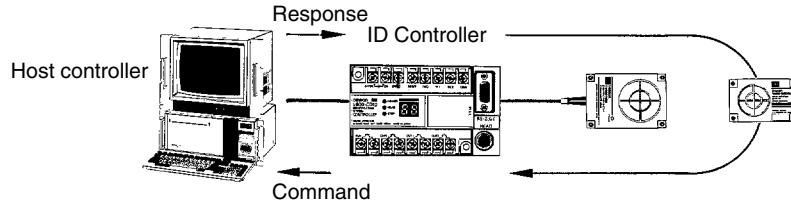
Before setting the switches, be sure to turn OFF the Power to the ID Controller. The switch settings are read when Power is switched ON. To change the switch settings, turn OFF the Power once, change the setting, and then turn ON the Power again.

**Modes**

The ID Controller operates in two Modes: RUN and TEST Modes.

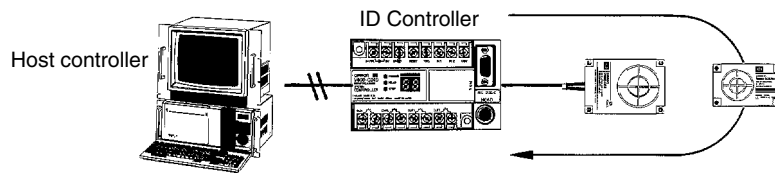
**RUN Mode**

In this Mode, the ID Controller operates as specified upon a command sent from the host controller, and sends the result of the operation to the host controller as a response.



**TEST Mode**

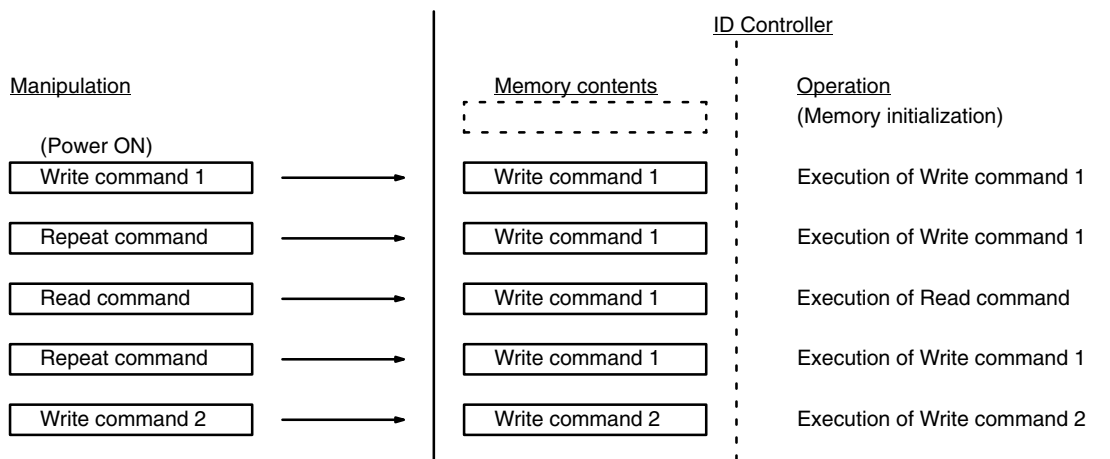
Communications testing can be conducted between the ID Controller and a DC in the off-line state. The ID Controller repeatedly communicates with a DC at 1-second intervals. During communication with the DC, the HEAD Indicator lights. When the processing has been completed, an end code, which is the result of the processing, is displayed on the monitor.



In the TEST Mode, two kinds of tests can be conducted: Read and Write Tests. The Read Test repeatedly reads 1-byte data, while the Write Test repeatedly writes 1-byte data. At this time, however, the contents of the DC's data have not changed. Use this TEST Mode for initial checking of the system.

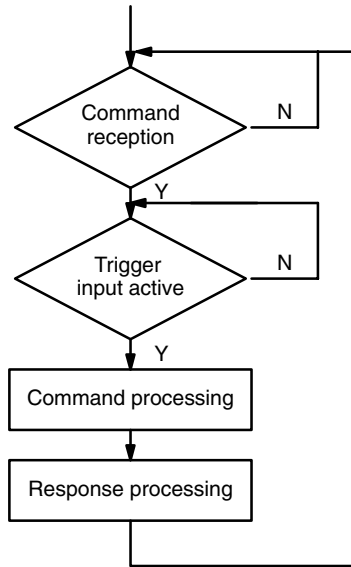
**Write Command Memory**

A write command executed by this Controller is recorded until either the next write command or the Power reset is executed. The write commands of the Controller include write, auto write, and polling write commands. The recorded write command can be executed by a repeat command.



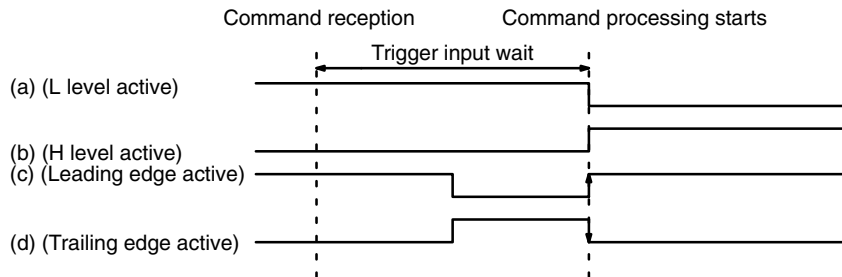
**Trigger Input**

The ID Controller is provided with a trigger input that informs the Controller when to start processing the DC. After receiving a command from the host controller, the ID Controller waits until the conditions of this trigger input are satisfied, and then starts communications with the DC.

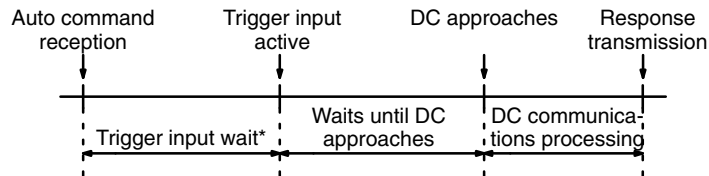


**Note** Even if there are changes to the trigger input status while the ID Controller is processing a command, processing is not suspended.

The condition of the trigger input can be specified to be L level (OFF) or H level (ON) by using a DIP switch.



When the auto command is used, the ID Controller waits for the DC approach after the trigger input has become active. Consequently, the Controller does not perform Read/Write processing even if a DC approaches before the trigger input becomes active.



\*The ID Controller does not perform processing even when a DC approaches in the trigger input wait state.

**Note** When the trigger input is not used, set the trigger condition to L level, and open the TRG terminal (set pins 1 and 2 of DIP switch 2 to the OFF positions).

## 3-2 Installation Environment

Although the ID Controller V600-CD1D-V□ has a high reliability and strong environmental durability as a control component, take the following into consideration when installing the ID Controller in order to improve the reliability of the overall system and to make the best use of its functions:

### Installation Location

Do not install the ID Controller at the following locations:

- Where the temperature falls below  $-10^{\circ}\text{C}$  or rises above  $+55^{\circ}\text{C}$ , or where the temperature fluctuation is great and condensation is generated.
- Where the relative humidity falls below 35% or exceeds 85%.
- Where it is subject to corrosive gas, flammable gas, dust, salt, and iron chips.
- Where it is subject to direct vibration or shock.
- Where it is subject to direct sunlight.
- Where it is subject to splashes of water, oil, and chemical substances.

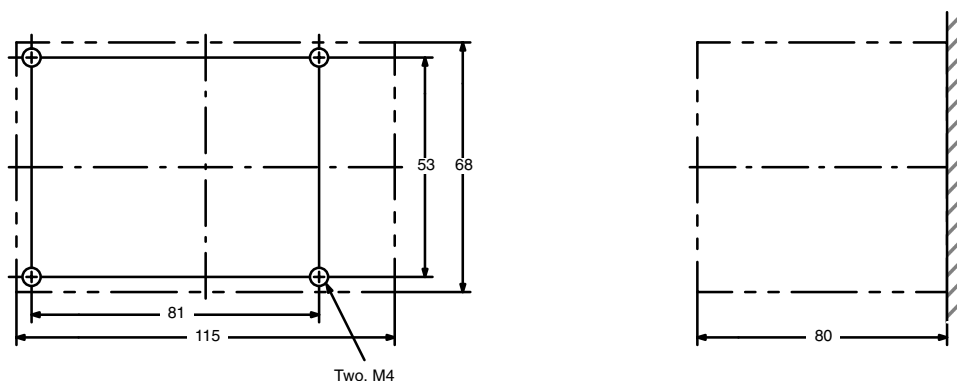
### Mounting Position in a Control Panel

The operating temperature range of the ID Controller is from  $-10^{\circ}\text{C}$  to  $+55^{\circ}\text{C}$ . When installing the Controller in a control panel, pay attention to the following points:

- Provide enough space around the Controller for ventilation purposes.
- Do not install the Controller in the vicinity of equipment generating heat (such as heaters, transformers, and large resistors).
- If there is a possibility that the temperature exceeds  $+55^{\circ}\text{C}$ , install a fan or air conditioner for forced cooling.

## 3-3 Mounting of ID Controller

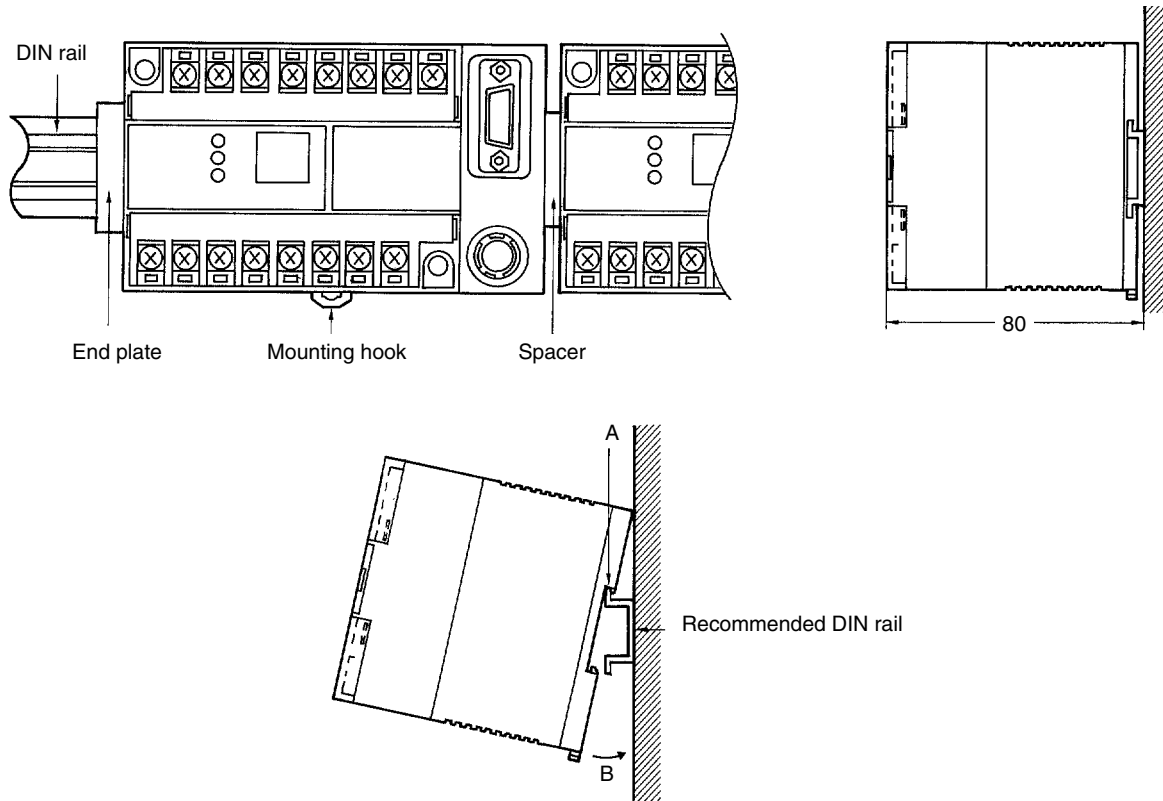
### Panel Mounting



When installing the ID Controller in a control panel, be sure to use plane washers and M4 screws.



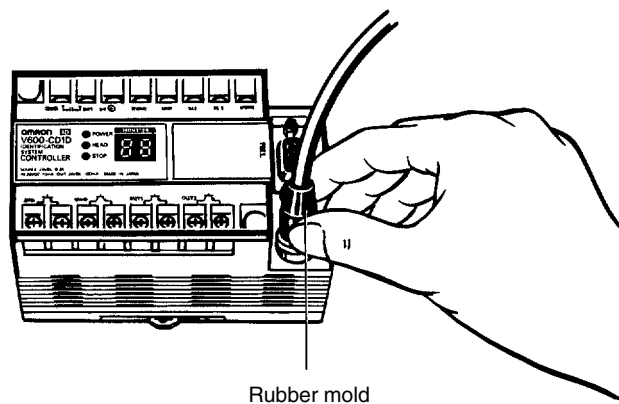
### DIN Rail Mounting



- 1, 2, 3...**
1. To mount the ID Controller on a DIN rail, first engage part A, and then push the ID Controller in direction B.
  2. To remove the Controller from the DIN rail, pull the mounting hook of the Controller toward you.

## 3-4 Connecting Connector

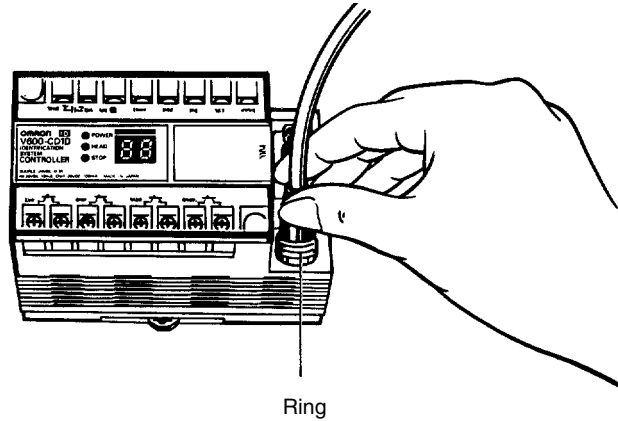
To Connect



- 1, 2, 3...**
1. Hold the rubber mold of the connector and insert the connector into the mating connector on the ID Controller.
  2. Push the connector straight in until it is locked.

**Note** The connector is not locked when it is pushed while holding the ring. Be sure to hold the rubber mold.

To Disconnect

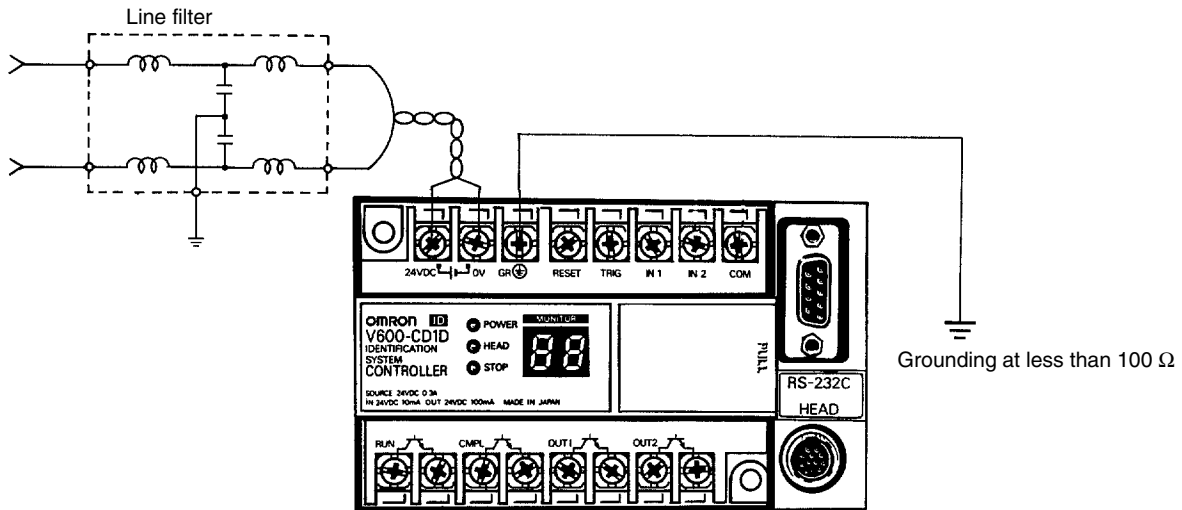


To remove the connector, pull it straight out while holding the ring.

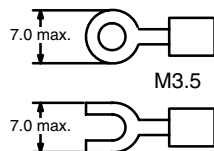
**Note** The connector must not be pulled while holding the rubber mold. If an excessive force is applied to the cable, the cable may break or become damaged.

### 3-5 Wiring

#### Power Supply Line and Ground Line



M3.5 screws are used for the Power and ground terminals. In the case of solderless terminals, use the following. Keep the tightening torque to within 8 kg-cm.



Supply 24 VDC to the ID Controller. Make sure that the voltage fluctuation is within the range of 20.4 to 26.4 VDC (24 VDC<sup>+10%/−15%</sup>).

The countermeasures against noise provided to the IC Controller is sufficient to suppress noise superimposed on power lines. However, by supplying power through a filter, noise can be substantially reduced.

The power dissipation of the ID Controller is 7.2 W maximum with a maximum configuration. Note, however, that an inrush current of about 20 A (at 24 VDC)

flows into the ID Controller upon Power application. Take appropriate measures against the inrush current.

Use a power cable 2 mm<sup>2</sup> diameter minimum to prevent voltage drops. The use of twisted pair cables is recommended.

To improve noise immunity, ground at less than 100 Ω. For a ground cable, use a cable of 2 mm<sup>2</sup> diameter minimum (green cable), and keep the cable length to within 20 m.

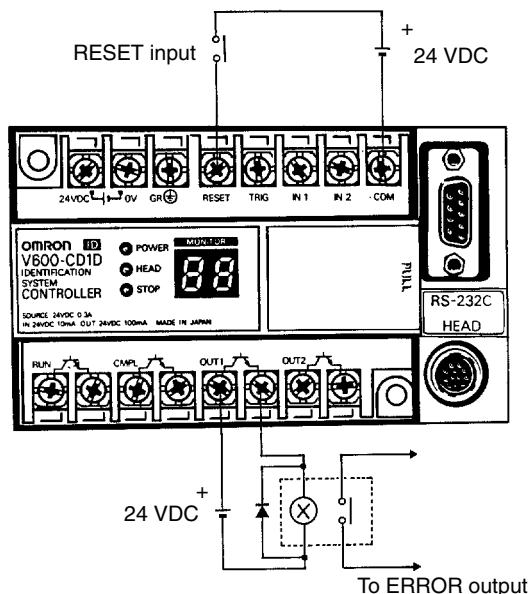
**Recommended Power Supply (Small, DIN Rail Type) <OMRON>**

Model	Output	Input voltage
S82K-0124	24 VDC, 0.6 A	100 VAC
S82K-2124	24 VDC, 0.6 A	200 VAC

**Note** Although the rated power dissipation of the ID Controller is 24 VDC, 0.3 A (7.2 W), take into consideration the power supply ratings taking the inrush current into the ID Controller. Use a power supply of 24 VDC, 0.6 A minimum.

**Input and Output lines**

**RESET Signal Input**



Make sure that the input voltage of the RESET signal does not exceed the maximum voltage (26.4 V). If this is exceeded, the ID Controller may malfunction.

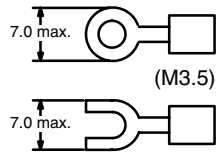
To improve the noise immunity, separate the wiring of the input lines from high-tension equipment or power lines.

**ERROR Signal Output**

The maximum switching capacity of the output terminals is 24 VDC (+10%/−15%), 100 mA. If a voltage or load that exceeds the maximum switching capacity is used, the ID Controller may malfunction. Use of an auxiliary relay (24 VDC, 100 mA max.) in the output circuit is recommended.

**Solderless I/O Terminal**

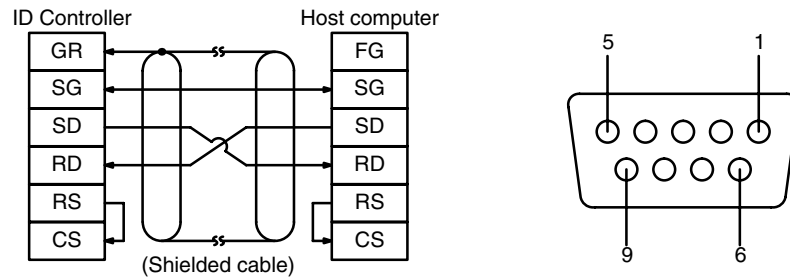
The I/O terminals employ M3.5 screws. When using solderless terminals, use the following:



Keep the tightening torque to within 8 kg-cm.

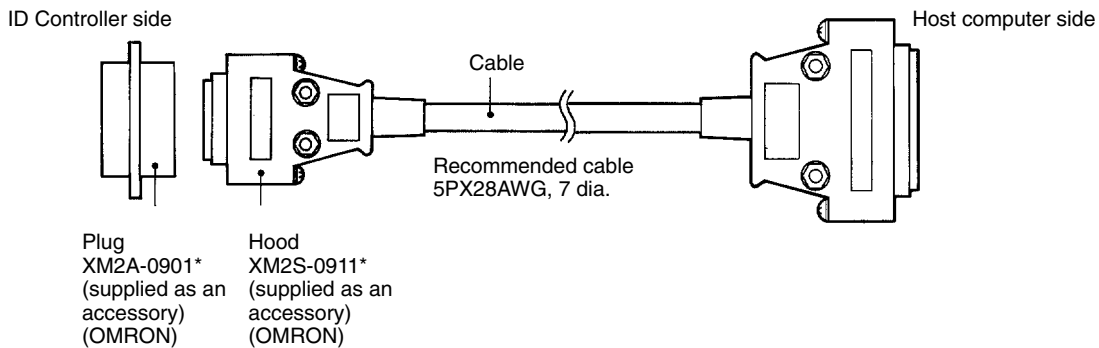
**3-6 RS-232C Interface Connection**

Signal name	Abbr.	I/O	Pin no.
Ground	GR	—	1
Signal ground	SG	—	9
Send data	SD	Output	2
Receive data	RD	Input	3
Request to send	RS	Output	4
Clear to send	CS	Input	5



- Note**
1. Ground the shielded cable at either the ID Controller side or host computer side to prevent malfunctioning. The above left figure shows an example of shielded cable grounding at the ID Controller side.
  2. Internally short-circuit pins 4 (RS) and 5 (CS).

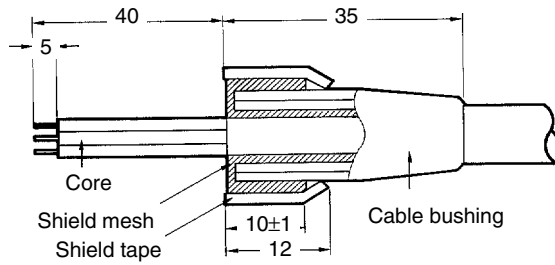
**Assembly and Connection of Communications Connector**



\*Use the accessory connector as the communications connector. Separately prepare the connecting cable and the connector of the host computer. The connector of the ID Controller is made by OMRON and takes countermeasures against EMI.

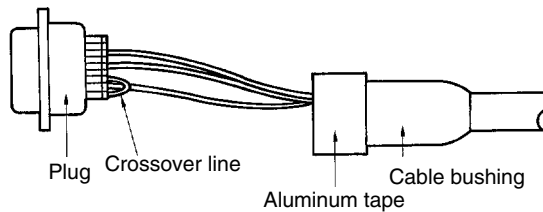
**Assembly of Connector**

1, 2, 3... 1. Process the ends of the cables.



- Run the cable bushing through the cable in advance.
- Loosen the shield mesh and return it on the cable bushing. At this time, keep the returning length to about 10 mm.
- Wind the shield tape onto the shield mesh.

2. Solder the cores of the cables to the pins.

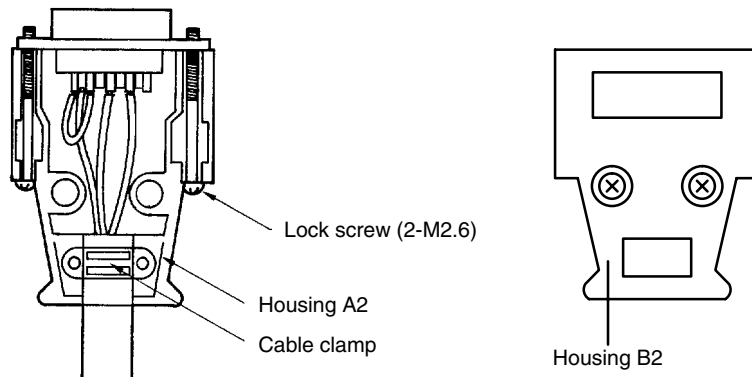


Pin no.	Abbr.	Signal name
1*	GR	Frame ground
9	SG	Signal ground
2	SD	Send data
3	RD	Receive data
4**	RS	Request to send
5**	CS	Capable to send

\*GR is grounded to the connector hood and is therefore connected to the GR of the ID Controller through the connector hood. It is therefore unnecessary to connect GR to pin 1.

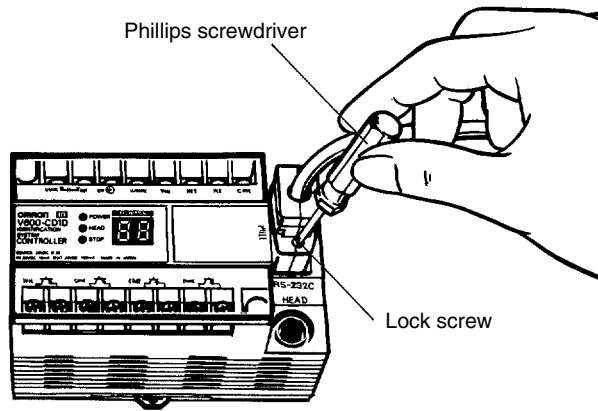
\*\*Short-circuit pins 4 (RS) and 5 (CS) with a crossover line.

3. Set the plug to the housing A2 of the hood and clamp the aluminum tape.

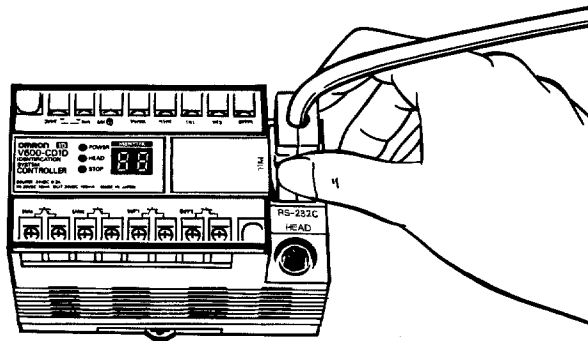


4. Set the two connector tightening screws and attach housing B2 to A2 to complete the connector.

**Connecting/Disconnecting Connector**



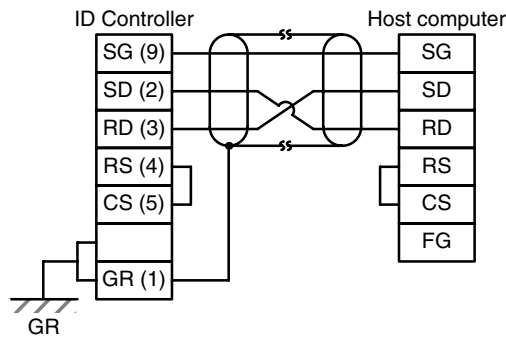
To connect the connector, be sure to hold the housing of the connector, and securely insert the connector. After the connector has been inserted, tighten the two lock screws with a screwdriver.



To disconnect the connector, completely loosen the two lock screws, hold the projection of the connector hood with your fingers, and pull the connector straight out, while holding down the Controller with the other hand.

**Note** Ground the shielded cable at either the ID Controller side or at the host computer side to prevent malfunctioning (the ID controller side is grounded in the following figure). Internally short-circuit RS and CS pins.

Example of grounding shielded cable:



# SECTION 4

## Communications

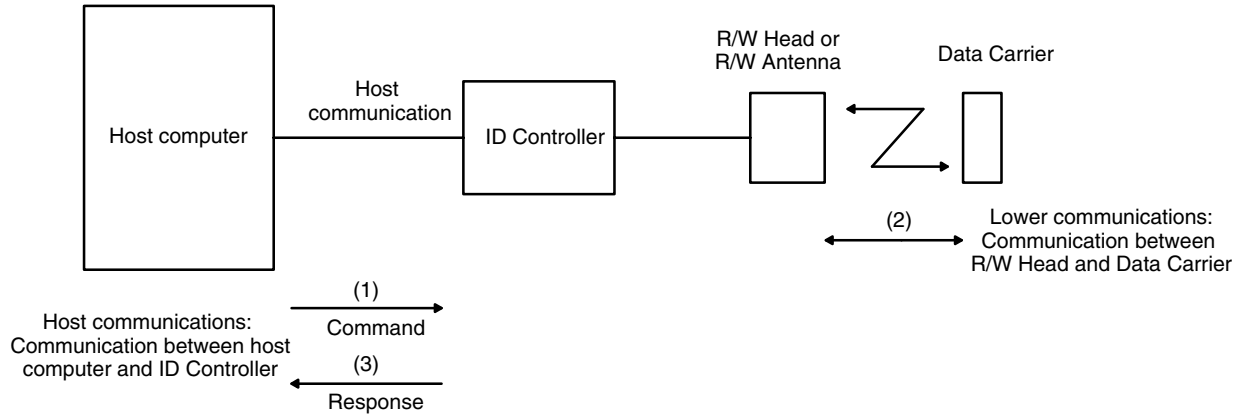
This section provides information on the communications aspects of the RFID System.

4-1	Movement of Data Carrier and Command Status .....	24
4-2	Memory Map of Data Carrier .....	28
4-2-1	Memory Map .....	28
4-2-2	Format of Production Date (Written by Manufacturer) .....	28
4-2-3	Write Protect Function .....	29
4-3	Command Format .....	32
4-4	Types of Commands and Responses .....	36
4-4-1	Read (RD) .....	36
4-4-2	Write (WT) .....	37
4-4-3	Expansion Read Command (XR) .....	37
4-4-4	Expansion Write Command (XW) .....	38
4-4-5	Auto Read (AR) .....	39
4-4-6	Auto Write (AW) .....	40
4-4-7	Polling Auto Read (PR) .....	40
4-4-8	Polling Auto Write (PW) .....	41
4-4-9	Command Processing Terminating Command (AA) .....	42
4-4-10	Data Check Command (MD C/K) .....	42
4-4-11	Data Management Command (MDS/MDL) .....	43
4-4-12	Write Processing Repeat Command (RP) .....	44
4-4-13	Controller Control Command (CC) .....	45
4-4-14	Error Information Read Command (CF) .....	45
4-4-15	Test Command (TS) .....	46
4-4-16	Abort Command (XZ) .....	46
4-4-17	Command Undefined Response (IC) .....	46
4-4-18	Error Response .....	47
4-4-19	End Code List .....	47
4-5	Example of Communications Program .....	48

# 4-1 Movement of Data Carrier and Command Status

## Communications Control Procedure

The host communication control procedure conforms to the OMRON SYSWAY procedure.



### Description

- 1, 2, 3... 1. The host computer transmits commands to the ID Controller.
2. The ID Controller analyzes the commands from the host computer, executes lower communications, and writes/reads data to/from a DC.
3. When a read command has been executed, the ID Controller transmits the contents of the data it has read and a responds to the host computer. When a write command has been executed, the Controller transmits a response indicating the end of processing to the host computer.

## Command Reception

The ID Controller assumes the following status in response to a command sent from the host computer:

### Command Wait Status

In this status, the ID Controller processes no command and is ready to receive any command.

### Command Processing Status

In this status, the ID Controller receives and processes a read/write (including expansion command) or auto read/write command, and returns a response to the host computer after the processing has ended. While the ID Controller is in this status, the Controller only receives a command that will terminate the current command, and an abort command.

### Polling Auto Subcommand Wait Status

When the ID Controller has received a polling auto command,

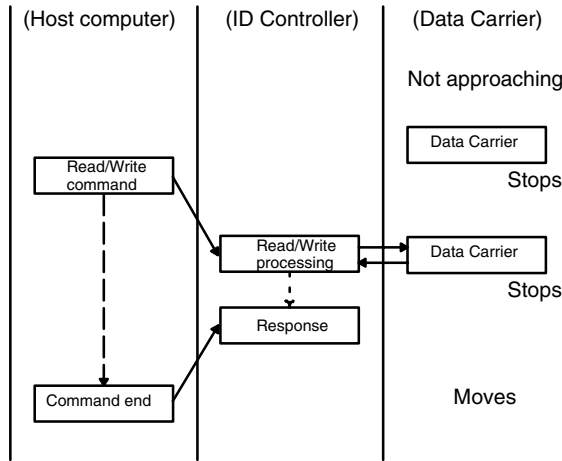
- a) the Controller returns the result of the processing as a response to the host computer after the processing with the DC has been completed and a polling processing inquiry command has been sent from the host computer.
- b) the processing of the ID Controller can be terminated by a polling processing termination command from the host computer.

When the ID Controller is in the polling auto subcommand wait status, it can receive only a polling subcommand (inquiry, termination) and an abort command.



**Read/Write Function**

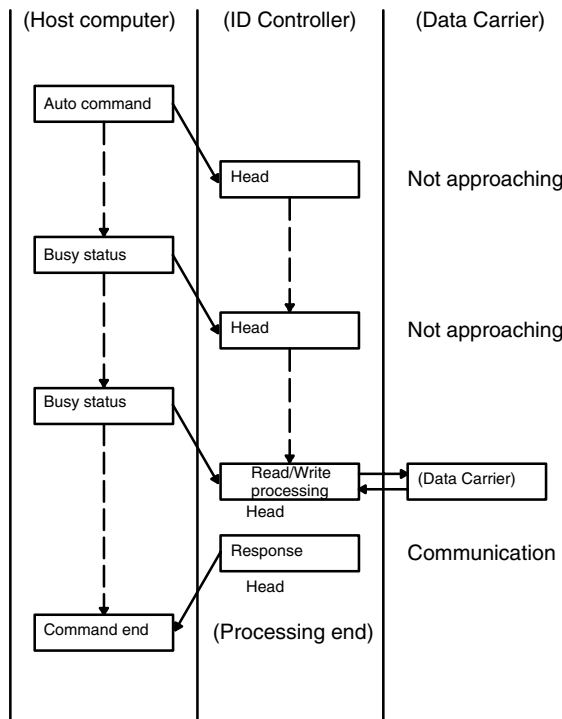
Read/Write Command Processing: The read/write function is used for communication when the Data Carrier is motionless. Therefore, it must be confirmed that the Data Carrier is at a specified position, i.e., in the communication area of the R/W Head. If the Data Carrier is missing, the ID Controller returns a response to that effect.



- 1, 2, 3...**
1. The host computer confirms that the Data Carrier is at a specified position and transmits a command to the ID Controller.
  2. The ID Controller performs write or read processing in accordance with the command.
  3. After the processing is complete, the ID Controller returns a response to the host computer to indicate that the processing has ended. The host computer, on receiving the response, moves the workpiece (with a Data Carrier) on the conveyor line.

**Auto Read/Write Function**

Auto Command Processing: When the ID Controller has received an auto command, it does not respond to the host computer until the Data Carrier approaches. When the Data Carrier approaches, the communication line between the Controller and the host computer becomes busy.

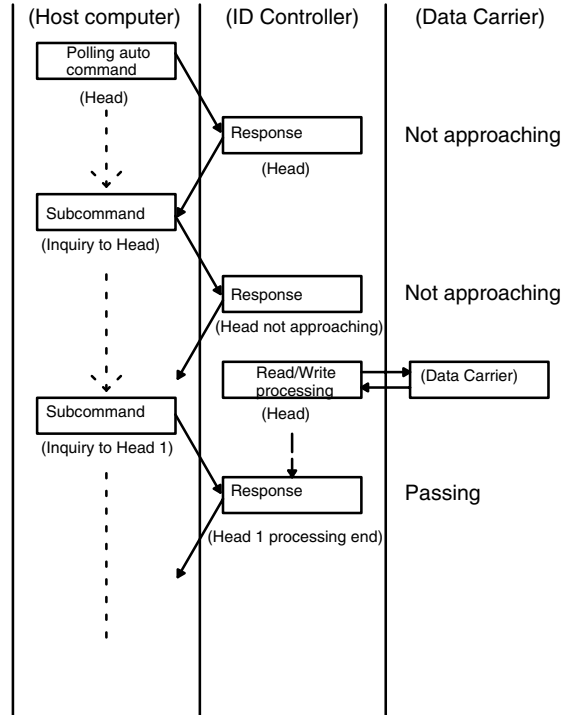


- 1, 2, 3...**
1. The host computer transmits an auto command to the R/W Head.
  2. The ID Controller does not respond to the host computer until the Data Carrier approaches, and only at this time does the host computer become busy.
  3. When the Data Carrier passes by the R/W Head, data is read or written.
  4. After the processing has been completed, the ID Controller returns a response to the host computer to indicating the end of processing.

For further details, refer to Appendix B.

**Polling Function**

When an ordinary auto command is executed, the ID Controller does not respond to the host computer until the Data Carrier approaches. Only when the Data Carrier approaches, the communication line between the host computer and the ID Controller becomes busy. However, when a polling auto command is executed, the ID Controller returns a response to the host computer on request. Therefore, the communication line ceases to be busy.

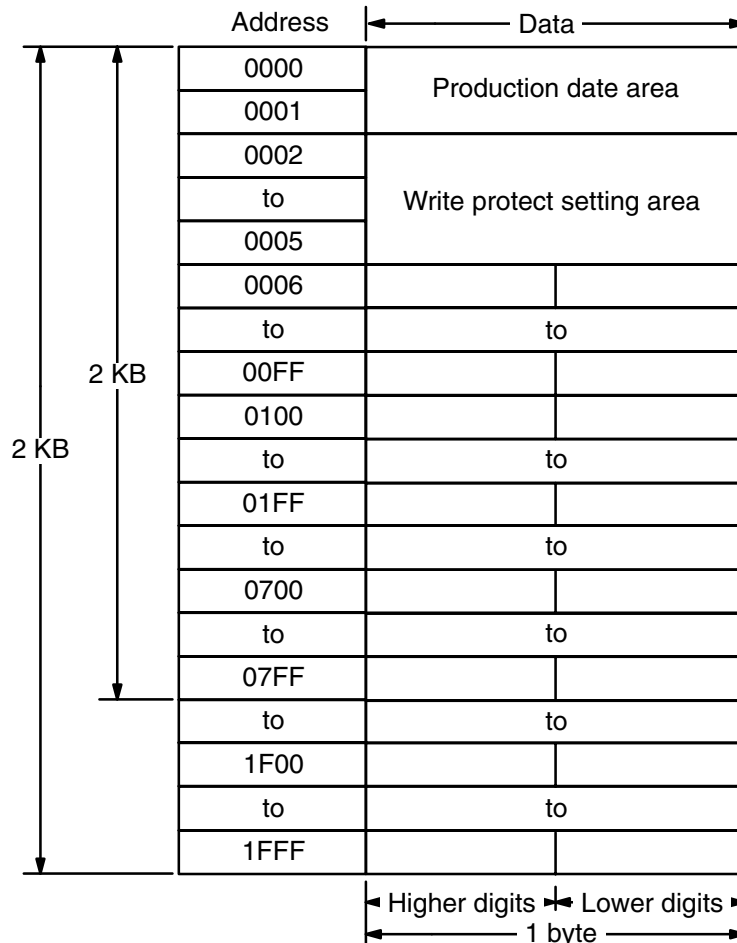


- 1, 2, 3...**
1. The host computer sends a polling auto command to Head 1.
  2. As soon as the ID Controller has received the command, it responds to the host computer to indicate the reception of the command.
  3. The host computer can make an inquiry on the progress of the processing or terminate the polling auto processing by using a subcommand.
  4. If the Data Carrier does not approach, the ID Controller responds to that effect to the host computer in response to a subcommand making an inquiry.
  5. When the Data Carrier passes by the R/W Head, read or write processing is performed.
  6. When processing has ended, the ID Controller responds to the host computer to indicate the end of the processing in response to a subcommand making an inquiry.

## 4-2 Memory Map of Data Carrier

### 4-2-1 Memory Map

The Data Carrier (DC) has a memory area of up to 8 KB. Data of 1 byte can be written to an address of the memory area.



**Note** Addresses 0000 and 0001 form a production date area in which data is factory-set for shipment. Addresses 0002 through 0005 are used to set write protection.

### 4-2-2 Format of Production Date (Written by Manufacturer)

To manage the battery life of the Data Carrier, the date of production is written to the first 2-byte area of the Data Carrier memory as a factory-set condition for shipment. The data in this area can be read, but no data can be written to this area by the user. If a write operation is performed on this area by mistake, an error will occur.

#### Contents of Production Date Area

Address	Bit							
	7	6	5	4	3	2	1	0
0000	Digit 10 of month				Digit 1 of month			
0001	Digit 10 of year				Digit 1 of year			

**Note**

1. Lower 2 digits of year are recorded (1991 → "91").
2. Month is expressed in two digits (June → "06," October → "10").

Example: June, 1991

Address	Bit							
	7	6	5	4	3	2	1	0
0000	0	0	0	0	0	1	1	0
	0				6			
0001	1	0	0	1	0	0	0	1
	9				1			

**Note** The battery life of the Data Carrier can be managed not only by reading the sticker on the battery, but also by the host computer through software by using a read command.

### 4-2-3 Write Protect Function

The write protect function protects important data stored in the memory of the Data Carrier, such as product number and model, from inadvertent write access. With this function, the data in a specified memory area can be protected. It is recommended that important data be write-protected as follows:

#### Setting Write Protect Function

The write protect function is set by 4 bytes of the addresses 0002 through 0005 of the Data Carrier's memory. Whether or not the write protect function is effected is specified by the most significant bit of address 0002.

Address	Bit							
	7	6	5	4	3	2	1	0
0002	YES/ NO	Higher 2 digits of start address						
0003	Lower 2 digits of start address							
0004	Higher 2 digits of end address							
0005	Lower 2 digits of end address							

Write protect execution bit (most significant bit of address 0002)

1: Write-protected

0: Not write-protected

Setting area:

Address	2 KB type	8 KB type
Start address	0006 to 07FF	0006 to 1FFF
End address	0006 to 07FF	0006 to 1FFF

**Note** Use addresses 0002 through 0005 as a write protect area.

To protect addresses 0006 through 07FF:

Address	Higher digits				Lower digits			
0002	1	0	0	0	0	0	0	0
	8				0			
0003	0	0	0	0	0	1	1	0
	0				6			
0004	0	0	0	0	0	1	1	1
	0				7			
0005	1	1	1	1	1	1	1	1
	F				F			

To not protect addresses:

Address	Higher digits				Lower digits			
0002	0	0	0	0	0	0	0	0
	0				0			
0003	0	0	0	0	0	0	0	0
	0				0			
0004	0	0	0	0	0	0	0	0
	0				0			
0005	0	0	0	0	0	0	0	0
	0				0			

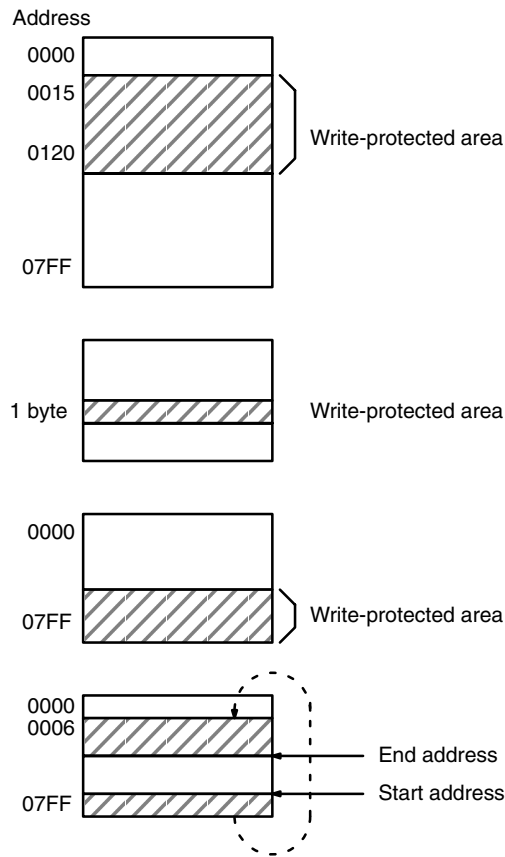
**Example of Setting Write Protect Function**

- 1, 2, 3... 1. To write-protect addresses 0015 through 0120. (End address)

Address	Bit							
	7	6	5	4	3	2	1	0
0002	1	0	0	0	0	0	0	0
	8				0			
0003	0	0	0	1	0	1	0	1
	1				5			
0004	0	0	0	0	0	0	0	1
	0				1			
0005	0	0	1	0	0	0	0	0
	2				0			

2. To write-protect only 1 byte <start address = end address> Set the same address as the start and end addresses.
3. If the end address exceeds the last address of the Data Carrier memory (end address > 07FF):  
Since the memory area of the Data Carrier is from 0000 through 07FF, addresses up to 07FF are write-protected.
4. If start address exceeds end address (start address > end address):  
Addresses from 0006 through end address, and start address through 07FF are write-protected.

<Example with 2KB Data Carrier>  
 With an 8KB Data Carrier, the last address is 1FFF.



**Note** The above example is when the memory capacity of the Data Carrier is 2 KB. When the Data Carrier with an 8 KB memory is used, the last address is 1FFF.

**Canceling Write Protection**

To cancel write protection, clear the most significant bit of address 0002 to 0. The write protection is canceled and both the start and end addresses specified in addresses 0002 through 0005 become invalid.

## 4-3 Command Format

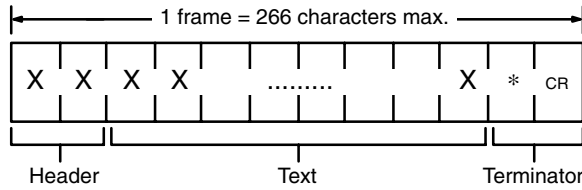
### Command/Response List

No.	Command	Header	Description	
1	Read	RD	Reads or writes data to or from the Data Carrier. If the Data Carrier is missing, an error response returns.	
2	Write	WT		
3	Expansion read	XR		
4	Expansion write	XW		
5	Auto read	AR	Reads or writes data to or from the Data Carrier. If the Data Carrier is missing, waits until the Data Carrier approaches	Responds upon completion of command processing.
6	Auto write	AW		
7	Polling auto read	PR		Can inquire about the result of command processing
8	Polling auto write	PW		
9	Command processing terminate	AA	Terminates the processing of commands other than polling command.	
10	Data management command	MD	Checks the data of the Data Carrier's memory. Manages the number of overwriting operations on the EEPROM-type Data Carrier.	
11	Write processing repeat	RP	Repeatedly executes the write command that was previously executed.	
12	Controller control	CC	Performs user input/output operation.	
13	Error information read	CF	Reads a log information error.	
14	Test	TS	Returns as a response a test message sent from the host computer.	
15	Abort (reset0	XZ	Restores the ID Controller to previous state upon power application. No response is returned.	
16	Command undefined response)	IC	The response returned by the ID Controller when the ID Controller receives an undefined command from the host computer.	



**Command/Response Format**

The command sent from the host computer to the ID Controller, and the response returned from the ID Controller to the host computer are in the following format:

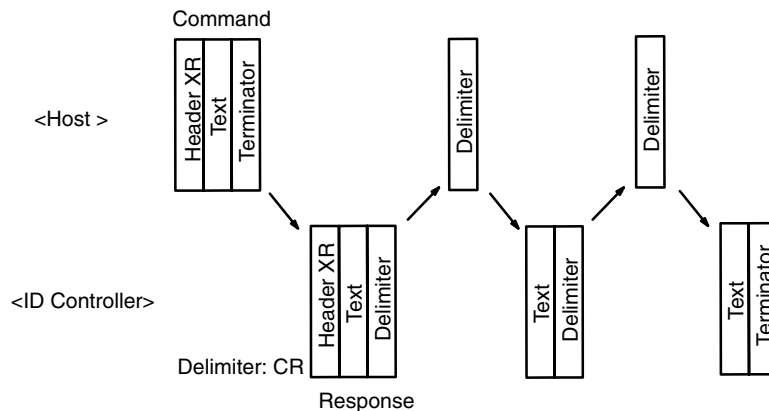


Type	Description	
Header	Command	Two-character symbol indicating operation.
	Response	Symbol same as header of executed command
Text	Command	Contents of processing: - ASCII/HEX code specification - R/W Head no. specification (fixed to 1) - Processing start address - Number of bytes to be processed (for read command), write data (for write command)
	Response	Result of processing - End code - Read data (for read command)
Terminator	Indicates end of command or response. Note: * indicates "2A"H of ASCII code, and CR indicates "0D"H.	

If the length of an expansion command exceeds 266 characters, or the length of a response to an expansion command exceeds 256 characters, the command or response is divided into several frames as follows. At this time, the terminator (\*CR) is appended to the last frame, and a delimiter (CR) is appended to the other frames.

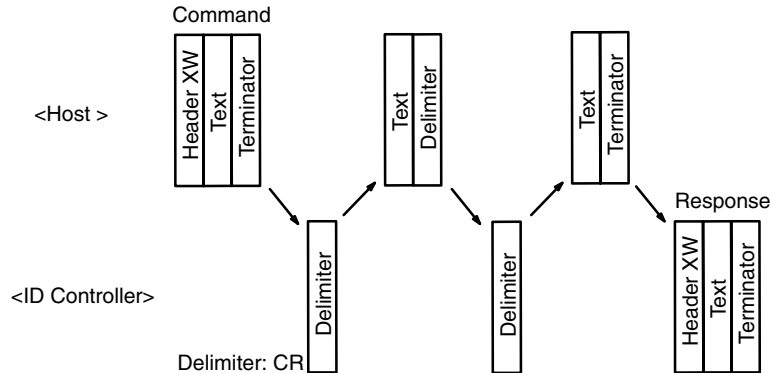
If response length exceeds 256 characters (for expansion read command):

After transmitting a response which is not the last frame, the ID Controller transmits the next response frame when it has received a delimiter (CR) from the host controller.



If command length exceeds 266 characters (for expansion write command):

When the ID Controller receives a command which is not the last frame, it transmits a delimiter (CR) to the host controller, and is ready to receive the next command frame.



### Specifying Data Code

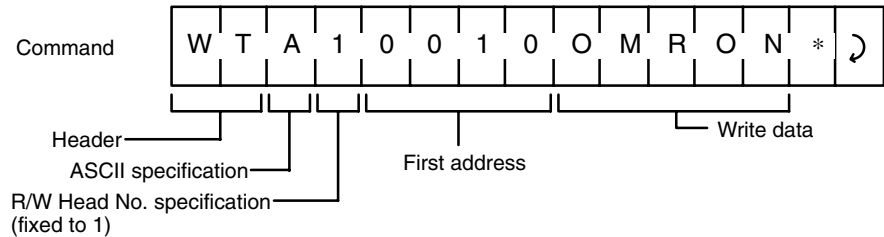
Whether the read or write data is treated as an ASCII (or JIS 8) code or HEX code is specified in a command.

#### ASCII (JIS 8 Code)

When the data length is specified to be 7 bits by the DIP switch of the ID Controller, ASCII is specified. When the data length is specified to be 8 bits, the JIS 8 code is specified.

One character of ASCII or JIS 8 code data occupies 1 byte (1 address) of the Data Carrier memory.

Example of specifying ASCII code:



Data Carrier memory address:

Address			
0010	4	F	"O"
0011	4	D	"M"
0012	5	2	"R"
0013	4	F	"O"
0014	4	E	"N"

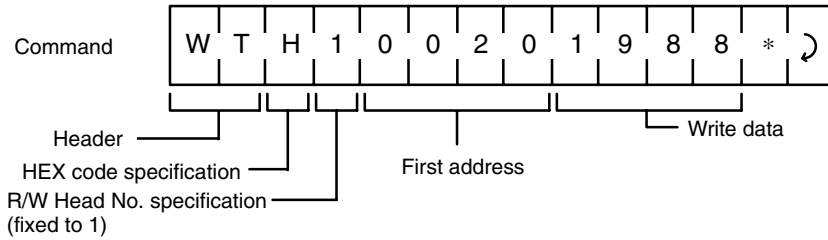
**Note** For ASCII (JIS 8 code), refer to Appendix A.

#### Hex Code

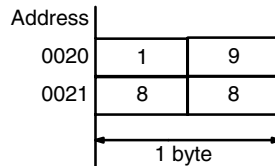
One character is treated as a hexadecimal number. Therefore, only numerals 0 through 9 and A to F can be accepted.

Two characters of data occupy 1 byte (1 address) of the Data Carrier memory. Therefore, specify data in 2-character units (in even numbers) when using a write command. If an odd number of data is specified by mistake, an error occurs.

Example of specifying HEX code:



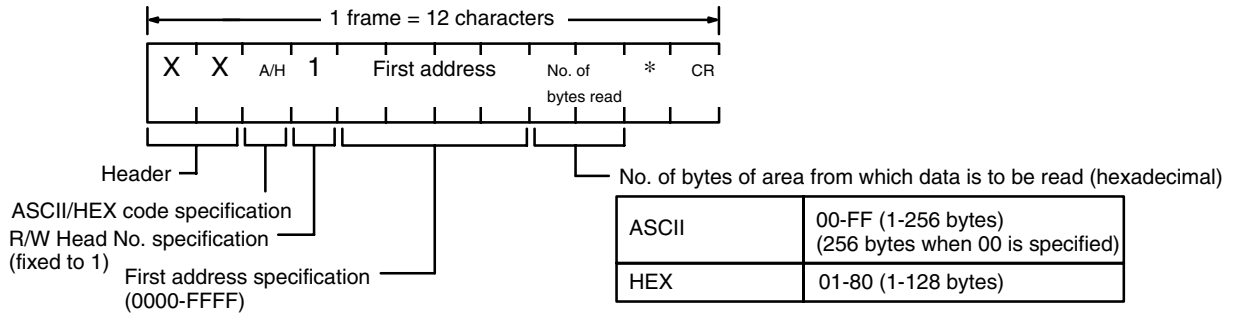
Data Carrier memory address:



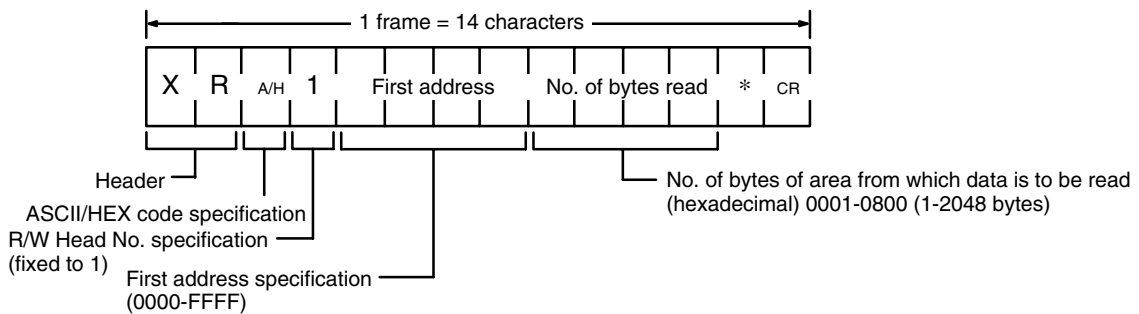
**Range of Address and Number of Bytes**

**Read Command**

Other than expansion read command:

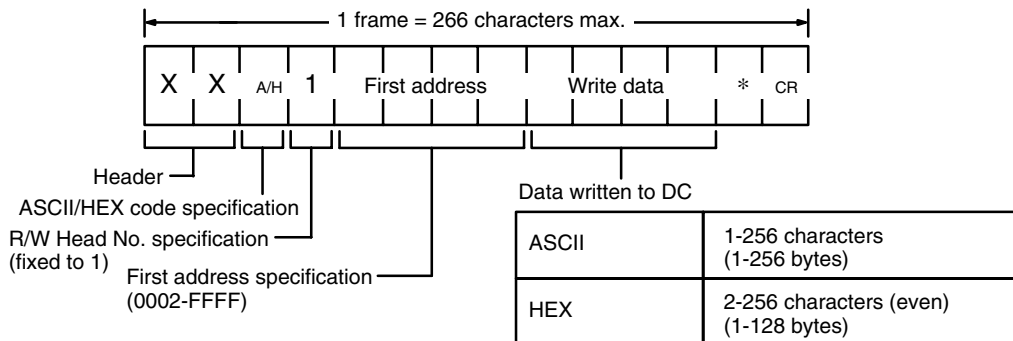


Expansion read command:

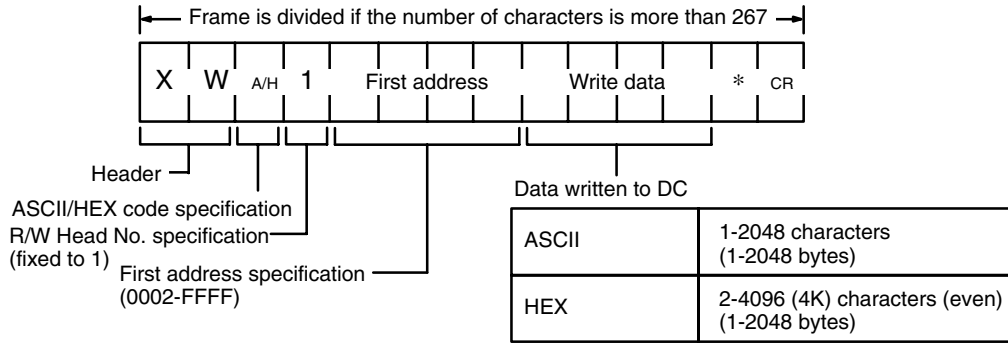


**Write Command**

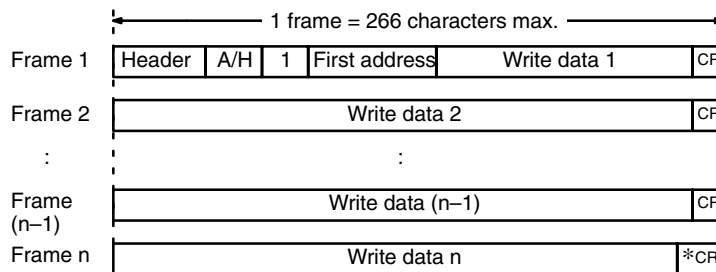
Other than expansion write command:



Expansion write command:



**Note** To divide a frame into several frames, make sure that one frame is of 266 characters or less.

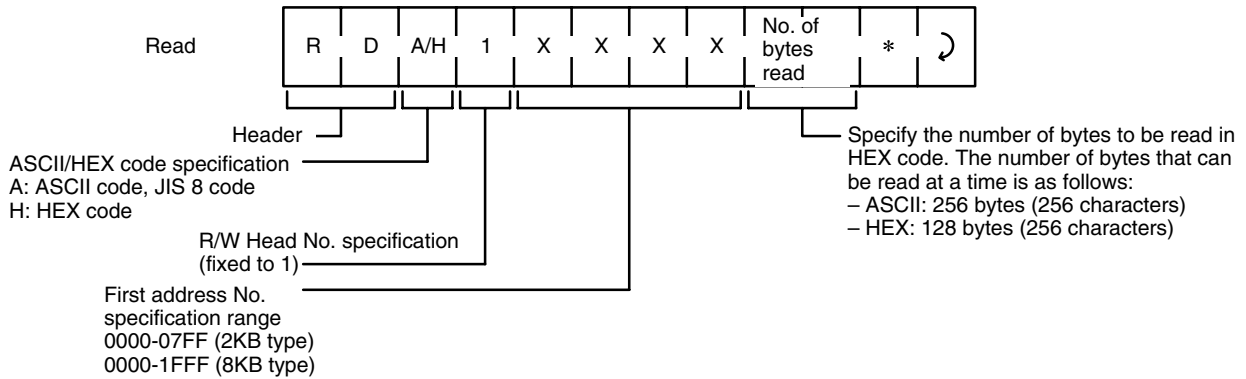


## 4-4 Types of Commands and Responses

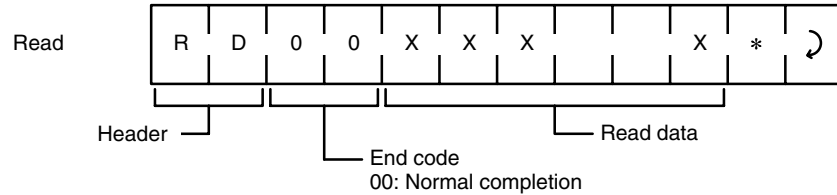
### 4-4-1 Read (RD)

Reads data from the Data Carrier. If the Data Carrier is missing, an error response (end code: 72 = Data Carrier missing) is returned.

#### Command Format



## Response Format

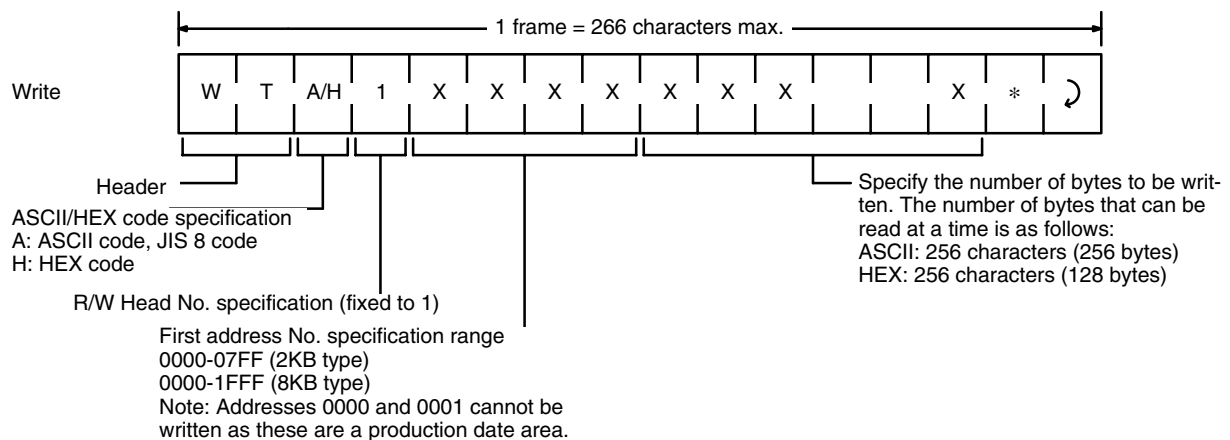


**Note** If the Data Carrier is missing, “RD72” is returned.

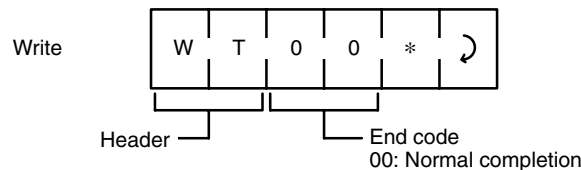
## 4-4-2 Write (WT)

Writes data to the Data Carrier. If the Data Carrier is missing, an error response (end code: 72 = Data Carrier missing) is returned.

## Command Format



## Response Format

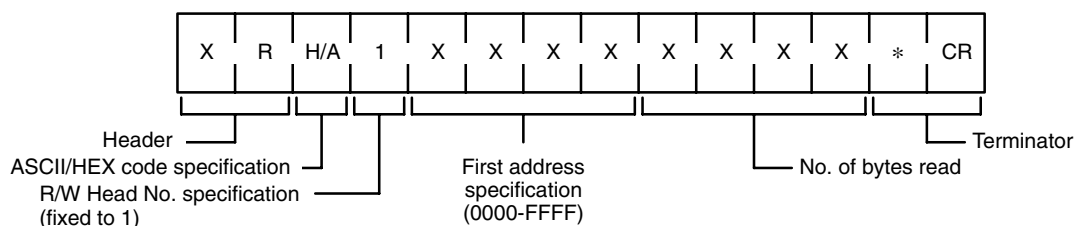


**Note** If the Data Carrier is missing, “WT72” is returned.

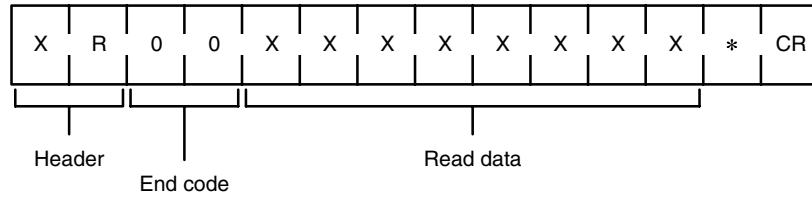
## 4-4-3 Expansion Read Command (XR)

Performs batch read processing of up to 2 KB. The processing procedure to the DC is the same as that of the read command.

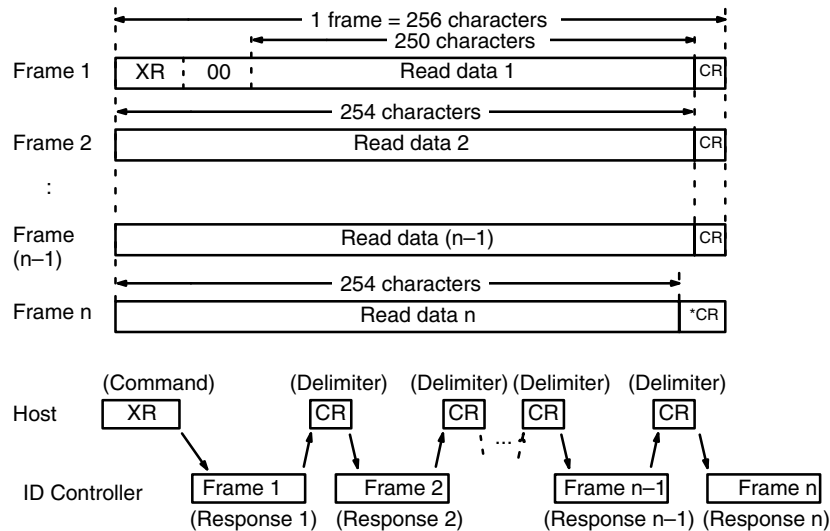
## Command Format



**Response Format**



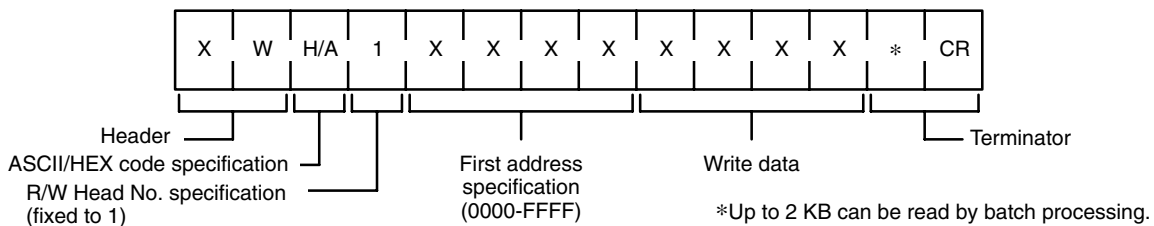
If the number of characters of read data is greater than 250, the frame is divided as follows:



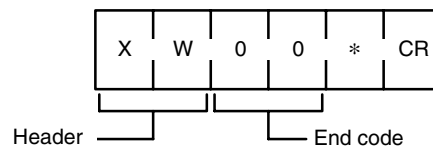
**4-4-4 Expansion Write Command (XW)**

Performs batch write processing of up to 2 KB. The processing procedure to the DC is the same as that of the write command.

**Command Format**



**Response Format**

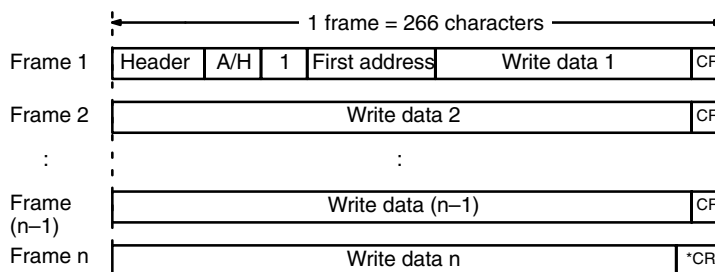


If the command length is greater than 266 characters, divide the frame.

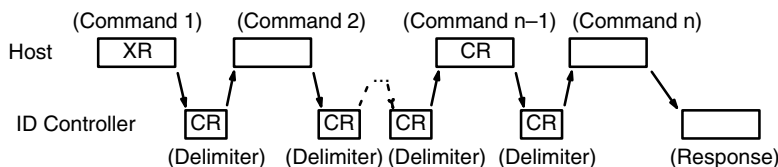
**Frame Division**

- 1, 2, 3... 1. Divide the frame so that each frame consists of up to 266 characters.
2. Append a terminator (\*CR) only to the last frame (frame n). Append a delimiter (CR) at the end of the other frames.
3. A header, ASCII/HEX specification, head no. specification, and first address are necessary for the first frame (frame 1). If one of these is missing, a command input error occurs. The write data can be omitted.

4. If the HEX code is specified, the number of write data characters in each frame must be even. If it is odd, a command input error occurs.
5. Divide the frame so that the last frame is not AA\*CR or XZ\*CR.



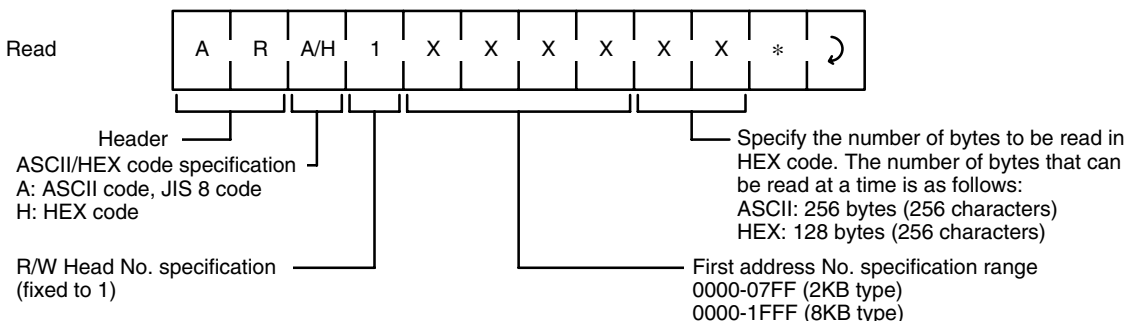
(Communication procedure)



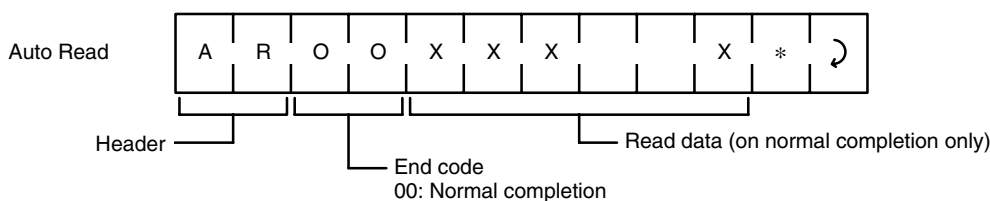
### 4-4-5 Auto Read (AR)

Reads data when the Data Carrier has approached. The ID Controller responds when the lower communication has ended.

#### Command Format



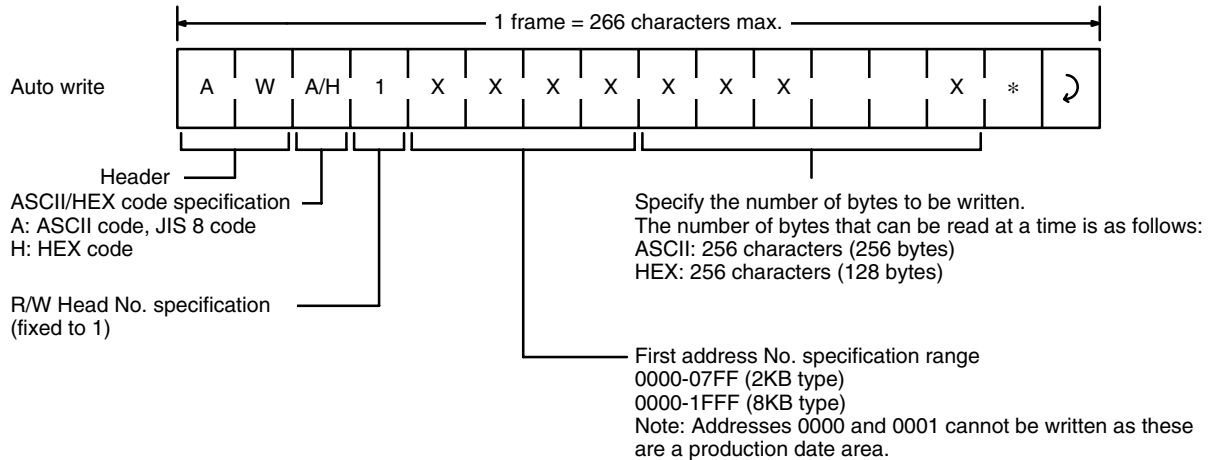
#### Response Format



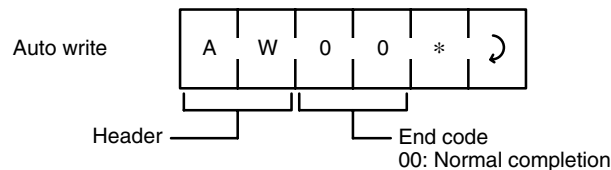
### 4-4-6 Auto Write (AW)

Writes data when the Data Carrier has approached. The ID Controller responds when the lower communication has ended.

#### Command Format



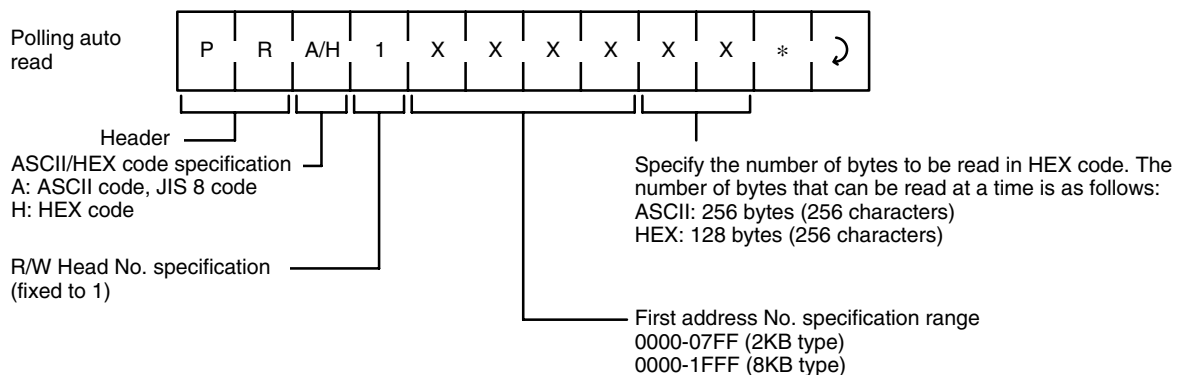
#### Response Format



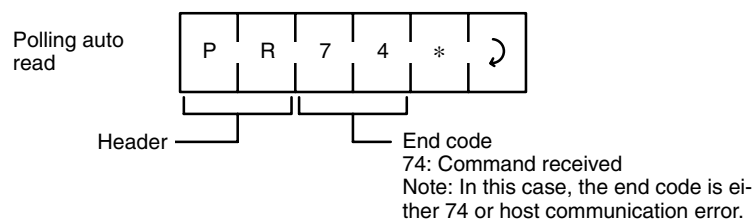
### 4-4-7 Polling Auto Read (PR)

When the host computer transmits the polling auto command, the ID Controller immediately responds, indicating the reception of the command. After this, the ID Controller reads data when the Data Carrier approaches. Meanwhile, the host computer can make an inquiry on the result of the command processing by using a subcommand.

#### Command Format

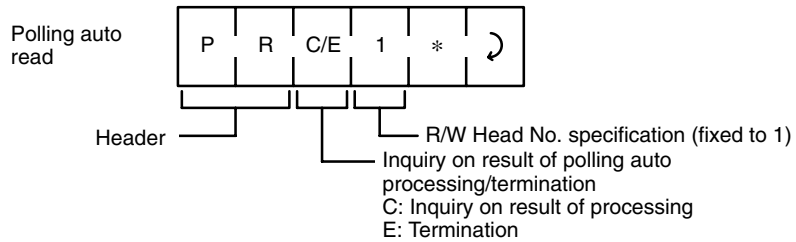


#### Response Format

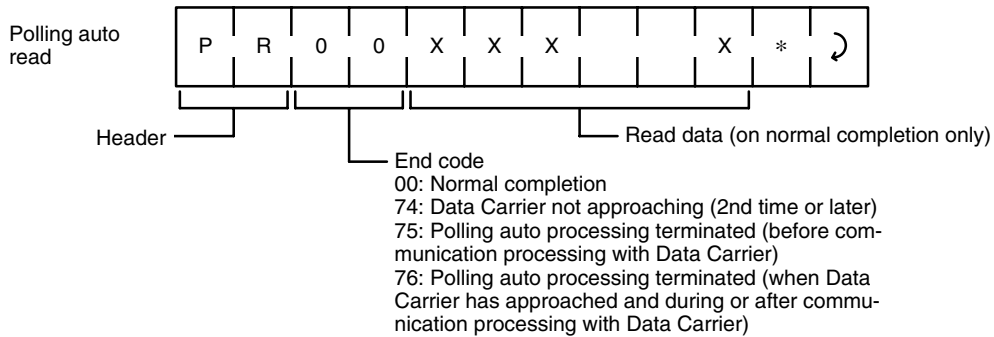




**Subcommand Format**



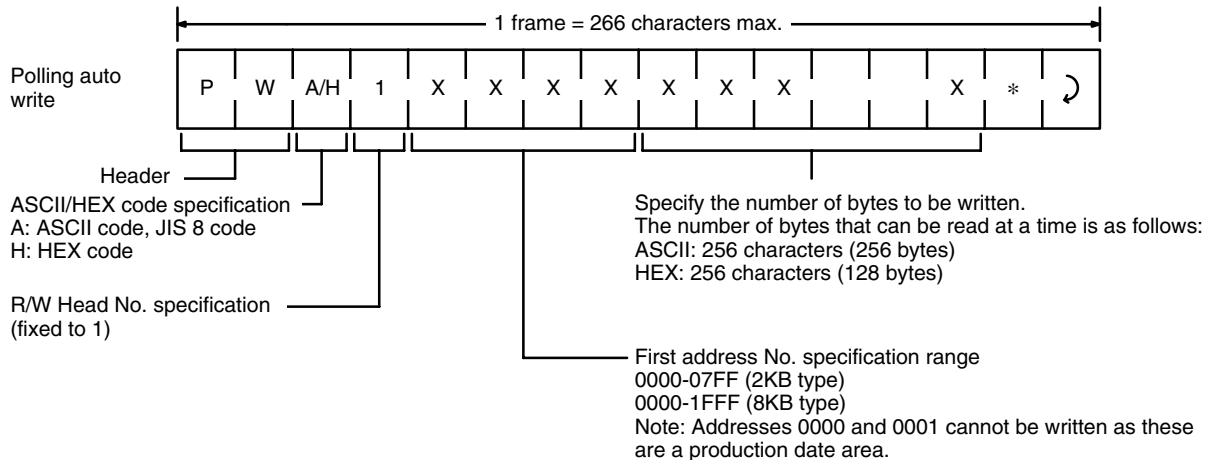
**Subcommand Response Format**



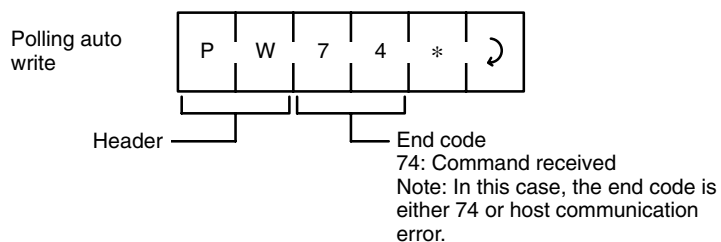
**4-4-8 Polling Auto Write (PW)**

When the host computer transmits the polling auto command, the ID Controller immediately responds, indicating the reception of the command. After that, the ID Controller writes data when the Data Carrier approaches. Meanwhile, the host computer can make an inquiry on the result of the command processing by using a subcommand.

**Command Format**



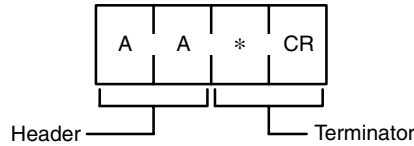
**Response Format**



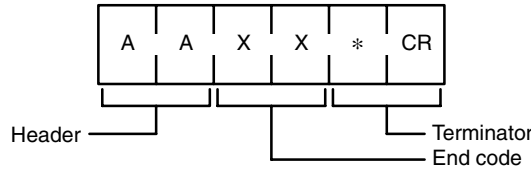
### 4-4-9 Command Processing Terminating Command (AA)

Terminates the processing of the commands other than the polling commands and restores the command wait status. Can also terminate the communication of frames of an expansion command.

#### Command Format



#### Response Format



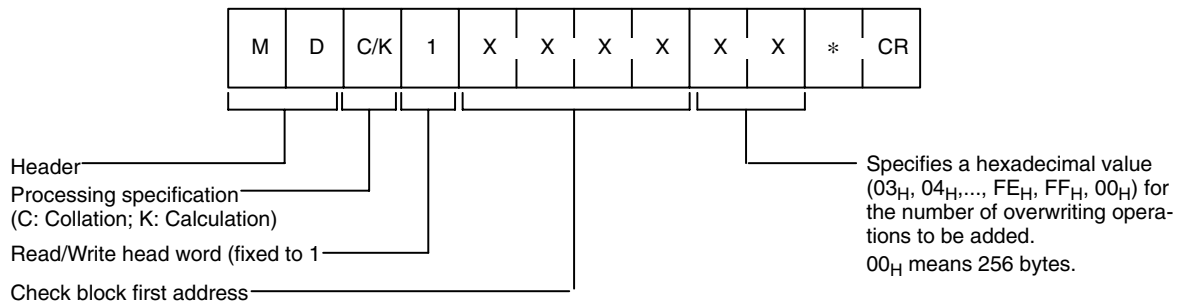
End code	Meaning
14	Processing of auto or ordinary command is not executed.
75	Expansion command has not been received yet, sync input has not become active yet, or command execution has been terminated before DC is detected.
76	When DC read/write processing is terminated.

### 4-4-10 Data Check Command (MD C/K)

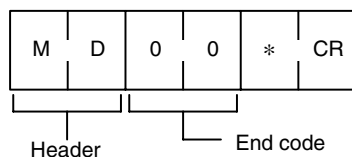
Writes a CRC code and executes data collation in a check block specified by the user. A CRC code is calculated with the generating function  $X^{16} + X^{12} + X^5 + 1$ . The number of check block bytes required is the number of bytes of the check code calculation area plus two bytes. Refer to 5-5 *Checking Function of the Data Carrier's Memory* for details.

#### 1-to-1 Procedure

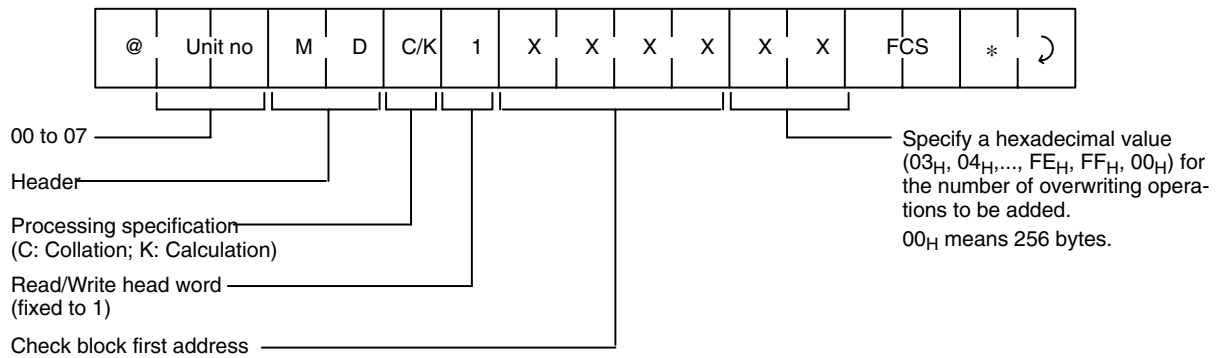
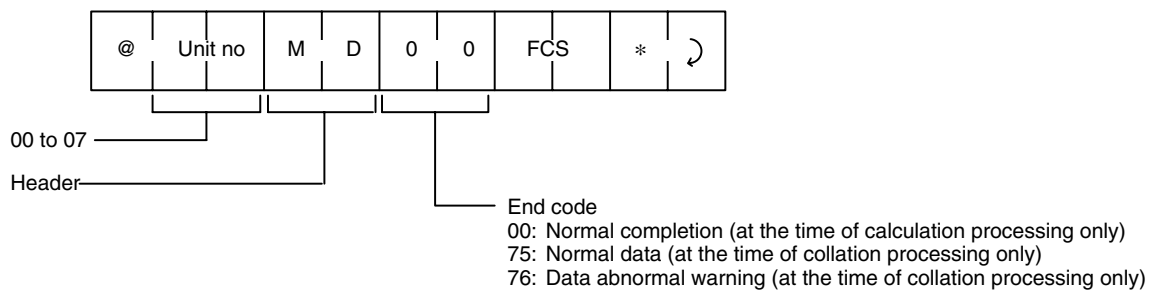
##### Command Format



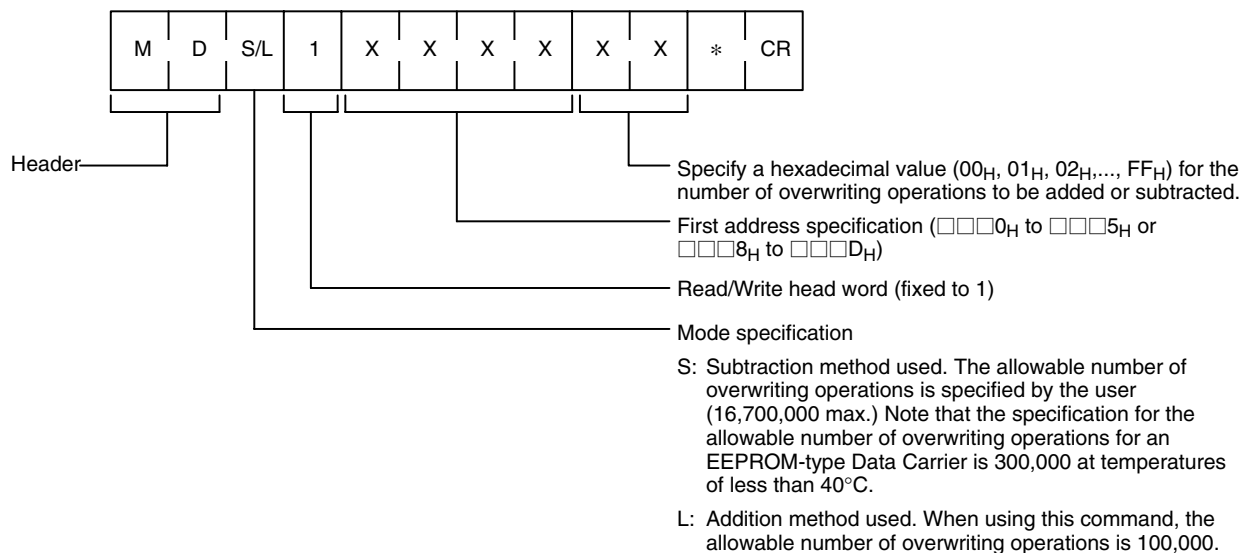
##### Response Format

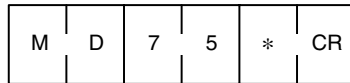


End code  
 00: Normal completion (at the time of calculation processing only)  
 75: Normal data (at the time of collation processing only)  
 76: Data abnormal warning (at the time of collation processing only)

**1-to-n Procedure****Command Format****Response Format****4-4-11 Data Management Command (MDS/MDL)**

The MDL and MDS commands can be used to check the number of overwriting operations for the EEPROM in an EEPROM-type Data Carrier. By adding or subtracting a number of writing operations to the number in the management area specified by the user, it is possible to check whether or not the number of overwriting operations has exceeded the allowable number. Refer to 5-4-2 *EEPROM-type Data Carrier* for details.

**1-to-1 Procedure****Command Format**

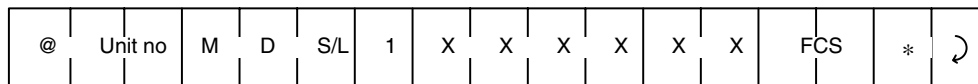
**Response Format**

Header

End code

75: The number of overwriting operations has not exceeded the allowable number.

76: The number of overwriting operations has exceeded the allowable number.

**1-to-n Procedure****Command Format**

00 to 07

Header

Specifies a hexadecimal value (00<sub>H</sub>, 01<sub>H</sub>, 02<sub>H</sub>,..., FF<sub>H</sub>) for the number of overwriting operations to be added.

First address specification

Read/Write head word (fixed to 1)

Mode specification

S: Subtraction method used. The allowable number of overwriting operations is specified by the user (16,700,000 max.) Note that the specification for the allowable number of overwriting operations for an EEPROM-type Data Carrier is 300,000 at temperatures of less than 40°C.

L: Addition method used. When using this command, the allowable number of overwriting operations is 100,000.

**Response Format**

00 to 07

Header

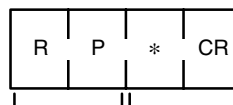
End code

75: The number of overwriting operations has not exceeded the allowable number.

76: The number of overwriting operations has exceeded the allowable number.

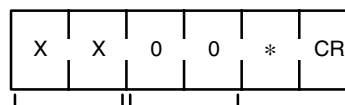
**4-4-12 Write Processing Repeat Command (RP)**

Executes the processing the write command previously executed.

**Command Format**

Header

Terminator

**Response Format**R/W Head No. specification  
(fixed to 1)ASCII/HEX code specification  
A: ASCII code, JIS 8 code  
H: HEX code

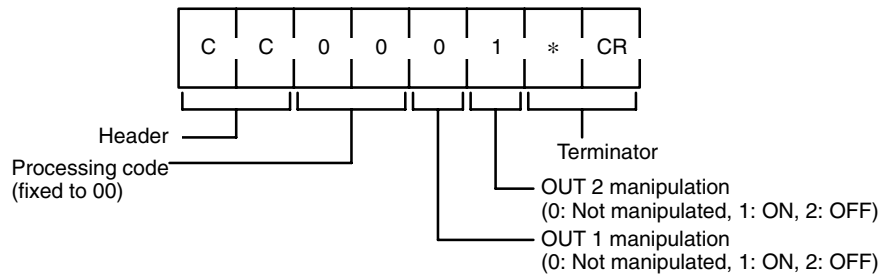
The write command information is cleared under the following conditions:

- When the Controller is power-reset.
- When a host communication error occurs during execution of write command
- If the repeat command is executed in this status, a command input error occurs.

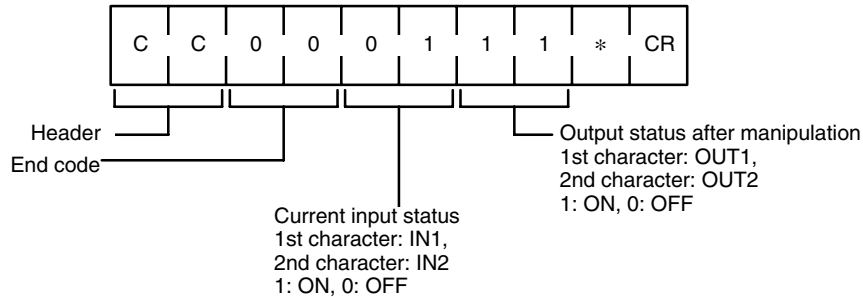
### 4-4-13 Controller Control Command (CC)

Manipulates/reads I/O.

#### Command Format



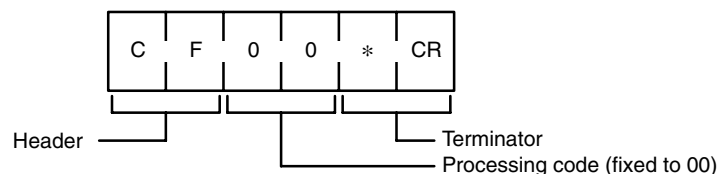
#### Response Format



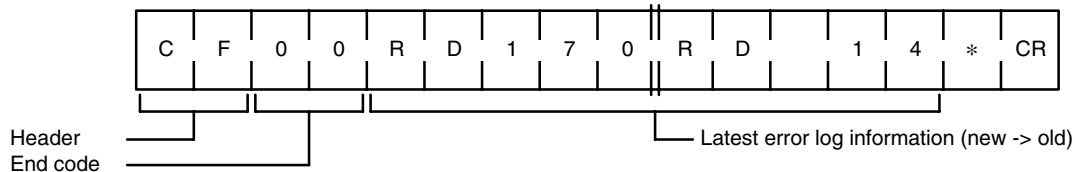
### 4-4-14 Error Information Read Command (CF)

Reads the latest error log information.

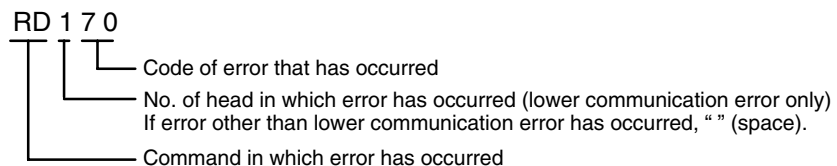
#### Command Format



#### Response Format



The latest error log information is arranged in the order of occurrence and five characters indicate one error.

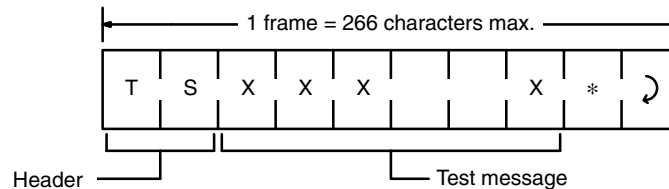


**Note** The error log information is cleared by means of power reset. If this command is executed in this status, no error log information is read.

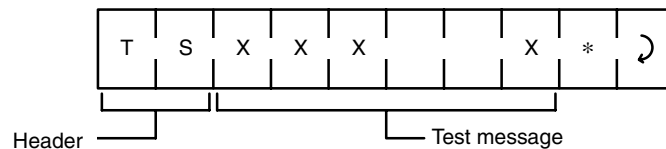
### 4-4-15 Test Command (TS)

Returns a test message sent from the host computer as is. The test command is used to test communication between the host computer and the ID Controller.

#### Command Format



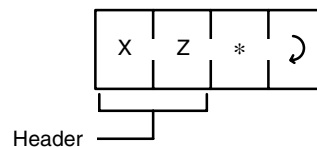
#### Response Format



### 4-4-16 Abort Command (XZ)

If the ID Controller does not return a response due to a problem during the host communication or lower communication, the abort command can restore the ID Controller to the command wait status. There is no response to the abort command.

#### Command Format

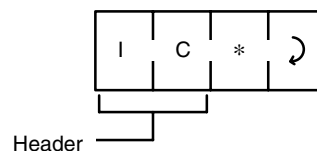


**Note** The ID Controller requires about 100 ms to get ready for reception of the next command after it has received the abort command.

### 4-4-17 Command Undefined Response (IC)

This is a response the ID Controller returns if it cannot read the header of a given command.

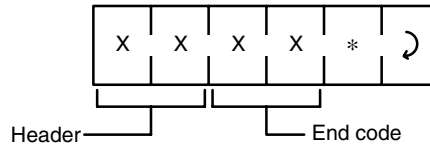
#### Response Format



### 4-4-18 Error Response

If an error occurs during the host communication or lower communication, the error is identified by the end code.

#### Response Format



The header same as that of the transmitted command

### 4-4-19 End Code List

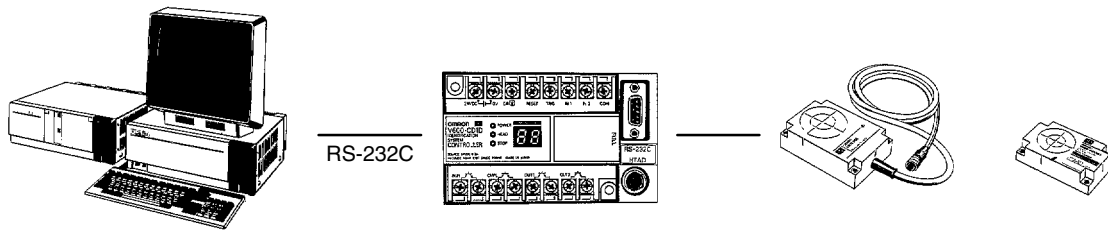
The end code is expressed as a 2-digit hexadecimal number.

Type	End code	Name
Normal	00	Normal completion
	7B	Warning: Data Carrier battery end
	74	Polling command reception Data Carrier not approaching (when polling inquiry command is issued)
	75	Termination of command before processing (Termination before execution of read/write processing of data)
	76	Termination of command after processing (Termination after execution of read/write processing of data)
Host communication	10	Parity error
	11	Framing/overflow error
	14	Command input error
	18	Frame length MAX error
Lower communication	70	Data Carrier communication error
	71	Unmatching error
	72	Data Carrier missing
	7A	Address over
	7C	R/W head not connected
	7D	Write protect error

## 4-5 Example of Communications Program

### Host Link Serial System

#### Example of System Configuration



#### Example of BASIC Program

In this example, data is written from Data Carrier 1 as HEX code by the write command. Input the write address in four characters in the range of 0006 to 1FFF, and write data as 2-digit HEX characters. The total character length of the write data must be 256 or less. Set the communication format of the ID Controller by using the DIP switches in accordance with the communication system of the host computer to be used.

```

10 CLS
20 OPEN "COM1:9600,E,8,1,CS0,DS0,CD0,PE" AS#1
30 WIDTH #1.255
40 PRINT "write command is executed"
50 INPUT "write address (HEX data: 0006-01FF)"=WA$
60 INPUT "write data (HEX data: 2-digit units)":WD$
70 TX$="WITH1"+WA$+WD$+"*"+CHR$(&HD)
80 PRINT TX$
90 PRINT #1, TX$;
100 INPUT #1, RX$
110 PRINT "RS data=":RX$
120 GOTO 40

```

**Note** The above program is for IBM-PC. The program differs depending on the host computer to be used.



# SECTION 5

## Testing

This section provides the information required to test and maintain the performance of the RFID System.

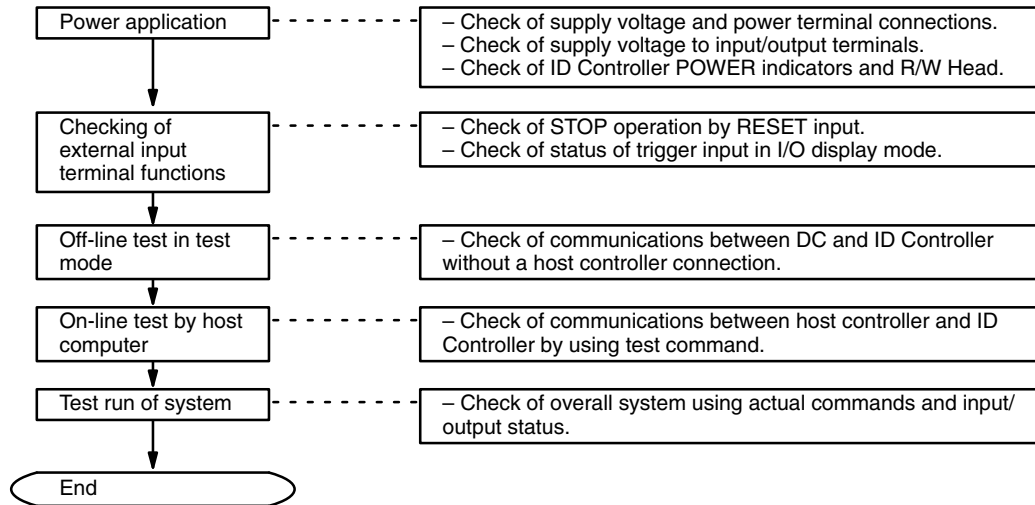
5-1	Test Run .....	50
5-2	Diagnostics .....	52
5-3	Error Lists .....	53
5-4	Checking the Data Carrier Life .....	54
5-4-1	SRAM-type Data Carrier .....	54
5-4-2	EEPROM-type Data Carrier .....	55
5-5	Checking Function of the Data Carrier's Memory .....	58
5-6	Troubleshooting .....	61
5-7	Maintenance and Inspection .....	62
5-8	Systems Check .....	63

# 5-1 Test Run

## Checklist

No.	Item	Criteria
1	Connection of power and I/O lines	Is the wiring correct? Are all terminals tightly secured?
2	Setting of DIP switches	Are communication specifications correctly set?
3	Connection of R/W Head	Is R/W Head correctly connected?
4	Location of data carrier	Are data carrier and R/W Head correctly located?
5	Connection of host computer	Is the RS-232C connector correctly connected?
6	Trigger condition	Is the input condition of trigger correctly set?

## Procedure of Test Run



## Off-line Test in Test Mode

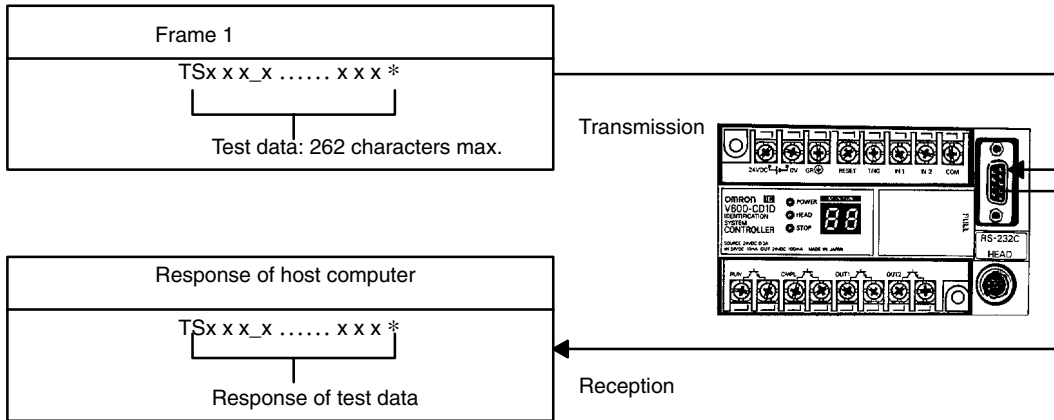
By setting the Test Mode, communication between the ID Controller and DC can be tested without the Controller being connected to the host computer.

Use this test to check mounting positions before the test run.

### Communications Test with Host Computer

Communications testing between the ID Controller and the host computer can be performed by using the test command, so that connections of the cables and communications operation can be checked before the test run of the overall system.

- 1, 2, 3... 1. Create a simple communications program on the host computer and transmit the test command (TS).
- 2. If the communication system is normal, the ID Controller returns the test data it has received as is.



## 5-2 Diagnostics

### Errors

#### Errors that Stop Operation

If a hardware error of the ID Controller has occurred, the STOP indicator lights, and RUN output is turned OFF.

#### Errors that Allow Operation to Continue

If an error has occurred during communications between the ID Controller and the host computer, or between the Controller and the R/W Head, the error code is displayed on the monitor (error code display mode). Up to 30 error codes are recorded and can be read by the host controller.

### Indicators and Outputs

Status		Indicator			Monitor	Output			
		POWER	HEAD	STOP		RUN	End of processing	User 1	User 2
Test	Lower processing in progress	Lit	Lit	Not lit	---	OFF	OFF	---	---
	Lower processing interval	Lit	Not lit	Not lit	---	OFF	OFF	---	---
	Communication error occurrence	Lit	Not lit	Not lit	Error code	OFF	OFF	---	---
RUN	Command reception wait	Lit	Not lit	Not lit	---	ON	OFF	---	---
	Command processing in progress	Lit	Lit	Not lit	---	ON	OFF	USR	USR
	Communication error occurrence	Lit	Not lit	Not lit	Error code	ON	ON	---	---
Stop error	CPU error	Lit	Not lit	Lit	92	OFF	OFF	---	---
	Memory error	Lit	Not lit	Lit	93	OFF	OFF	---	---
Emergency stop	External reset input ON	Lit	---	Lit	---	OFF	OFF	---	---

**Note** USR: Set by the controller control command.

## 5-3 Error Lists

### Communication Error

Location	Error code	Type	Condition
Host communication error	10	Parity error	Error occurs during communication between host computer and ID Controller. – Incorrect setting of communication format – Malfunctioning due to noise
	11	Framing error	
	12	Overrun error	
	14	Command input error	Wrong command format.
	18	Frame length MAX error	Command or data length exceeding 266 characters.
Lower communication error	70	Data carrier communication error	Error during communication between R/W Head and DC. – Setting error such as passing speed and distance – Malfunctioning due to obstacle
	71	Unmatching error	Read or write processing is not performed correctly.
	72	Data carrier missing	DC does not exist in specified area when write/read command is executed.
	7A	Address over	Address exceeding memory area of DC is specified. When using MDS/MDL command, first address of the area is incorrectly specified.
	7C	R/W head not connected	R/W Head is not connected.
	7D	Write protect error	Production date area or write-protected area is specified for write command.

- Note**
1. The host communication error is an error that has occurred during communications between the host computer and ID Controller.
  2. The lower communication error is an error that has occurred during communications between the ID Controller and R/W Head. These errors are all recorded in the ID Controller and their error codes and messages can be read using a command from the host computer.
  3. These errors are all recorded in the ID Controller and their error codes can be read using a command from the host computer.

### Warning Code

Warning Code	Name	Meaning
7B	Data carrier battery low	The voltage of the Data Carrier's built-in battery is low.
76	Excessive number of Data Carrier overwriting operations	This warning will be returned when the data management command (MDS/MDL) is executed if the number of Data Carrier overwriting operations is 100,000 or over.
76	Data Carrier memory check error	This warning will be returned if a memory error is detected when the memory check command (MDC) is executed.

### System Error

Error code	Type	Condition
92	CPU error	May be due to an ID Controller error or the influence of noise. Turn OFF power once and then turn it back ON again. Turn ON the reset input (if the error still persists, use the other ID Controller).
93	Memory error	

- Note** The system error (error that stops the operation) can be displayed on the monitor of the ID Controller but cannot be checked by the host computer.

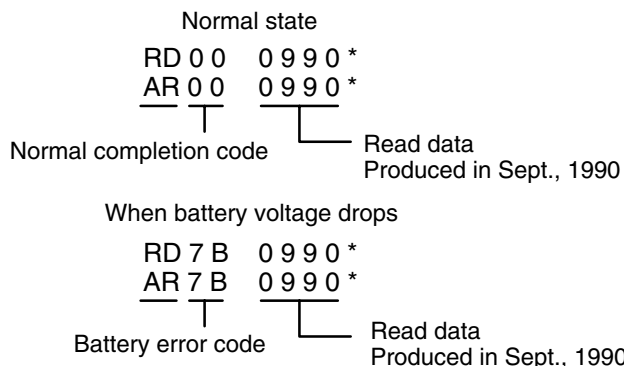
## 5-4 Checking the Data Carrier Life

### 5-4-1 SRAM-type Data Carrier

#### Checking Battery Voltage Drop

- 1, 2, 3...
1. A voltage drop of the battery cannot always be checked but can be checked only when specific access is made. This is because, to check the battery voltage, a certain amount of current is temporarily allowed to flow through the internal circuit of the data carrier. If the battery voltage is checked each time the data carrier is accessed, the battery life is shortened. It is recommended that a routine that checks the battery once a day be incorporated in the system program.
  2. Access to check battery voltage:  
The battery is checked only when the 2-byte data of addresses 0000 and 0001 are read.  
<Battery voltage check command>
    - a) Read command ... RD H 1 0000 02
    - b) Auto read command ... AR H 1 0000 02
    - c) Polling auto read ... PR H 1 0000 02
    - d) Expansion read command ... XR H 1000 02
  3. Response when battery voltage drops:  
If the battery voltage has dropped, "7B" is returned as the end code of a response.

Example:



#### Battery Life of the Data Carrier After Battery Voltage Drop

The Data Carrier can still be used for about 1 month under ordinary operating conditions, even if the voltage of the battery has dropped below the rated level. However, it is recommended that the Data Carrier be replaced with a new one as soon as possible.

The battery-replaceable V600-D2KR16 can still be used for about 2 weeks under ordinary operating conditions, even if the voltage of the battery has dropped below the rated level. However, it is recommended that the battery be replaced with a new one as soon as possible.

**Note** SRAM-type Data Carriers (excluding the V600-D2KR16) have a built-in thionyl chloride lithium battery. Due to the characteristics of thionyl chloride lithium batteries, the internal resistance of the battery increases when it is unused for several months. If the battery voltage drop is checked on a Data Carrier in this condition, a voltage drop will result even though the battery life is still satisfactory. This phenomenon is due to the increase in the internal resistance, and does not indicate that the battery life is over. Accordingly, if a Data Carrier is purchased and

left unused for several months, activate the battery by performing a read operation for about 10 minutes. (Activating the battery in this way will run current through it, which will return the internal resistance to its normal state. This will have almost no effect on the battery life.)

### 5-4-2 EEPROM-type Data Carrier

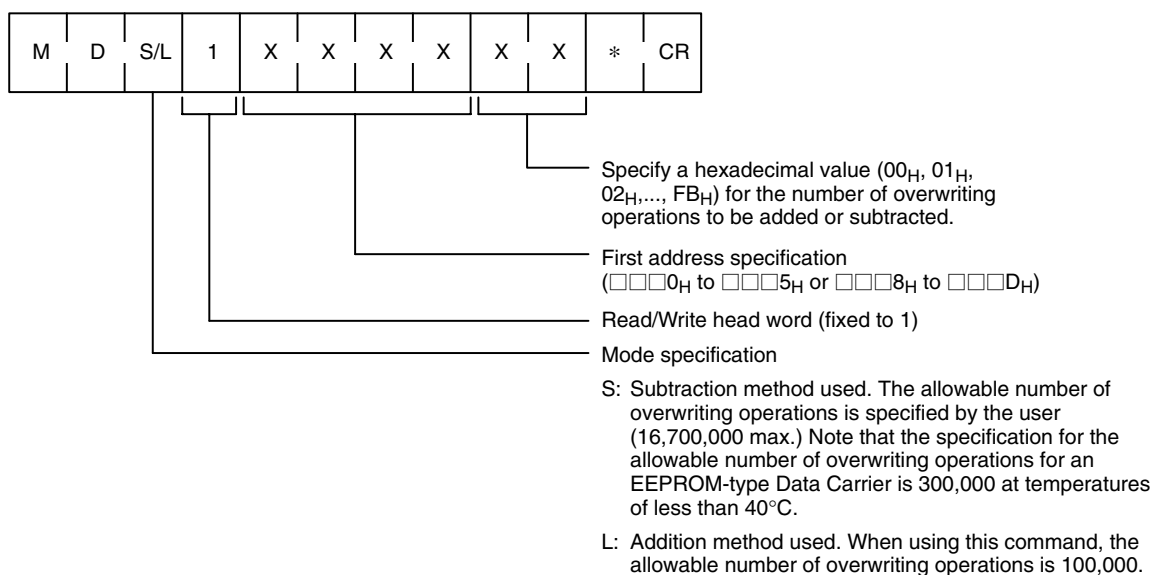
The MDL and MDS commands can be used to check whether or not the number of overwriting operations for the EEPROM in an EEPROM-type Data Carrier has exceeded the allowable number.

The MDS command subtracts the number of overwriting operations from a user-specified management area and makes it possible to check whether or not the number of overwriting operations has exceeded a user-specified number.

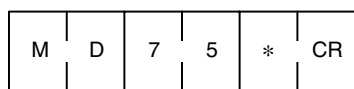
The MDL command adds the number of overwriting operations to a user-specified management area and makes it possible to check whether or not the number of overwriting operations has exceeded 100,000. This command is for EEPROM-type Data Carriers with a specification of 100,000 for the allowable number of overwriting operations.

**Note** The MDS command can be used only with version 2.1 or later. Refer to ??? for details on the method used to check the version.

#### Command Format



#### Response Format



End code  
 75: The number of overwriting operations has not exceeded the allowable number.  
 76: The number of overwriting operations has exceeded the allowable number.

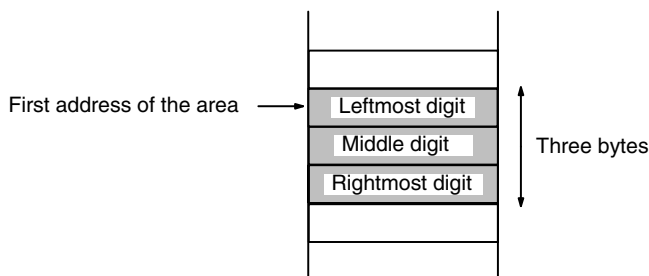
- Note**
1. The first address must be □□□0<sub>H</sub> to □□□5<sub>H</sub> or □□□8<sub>H</sub> to □□□D<sub>H</sub>. Do not specify □□□6<sub>H</sub> to □□□7<sub>H</sub> or □□□E<sub>H</sub> to □□□F<sub>H</sub> as the first address, otherwise address error code 7A (hexadecimal) will be returned.
  2. The unit number is required for 1-to-n procedure.

#### **MDS Command**

The management area consists of three bytes beginning with the first address of

the area. When the MDS command is executed, the specified number of overwriting operations is subtracted from the present number and the result is written to this area. If it is 0 (00<sub>H</sub>), end code 76 will be returned as a warning. It is necessary to specify the allowable number of overwriting operations beforehand. This can, in theory, be set to any number up to 16,700,000 but the specification for the allowable number of overwriting operations for an EEPROM-type Data Carrier at temperatures of less than 40°C is 300,000 (0493E0<sub>H</sub>) so set to a number less than this. The number of overwriting operations up to the present time is written in the management area as hexadecimal data. The data can also be read using the read command.

If the number of overwriting operations in the management area is already 0, the hexadecimal data value will not be renewed. In this case, only the warning will be returned when the MDS command is executed. If the MDS command is executed with 00<sub>H</sub>, nothing will be written to the hexadecimal data but the number of overwriting operations up to the present time can be checked.



**MDS Command Execution Example**

In the following example, three bytes beginning with address 0010<sub>H</sub> are specified as the management area for overwriting operations.

- 1, 2, 3... 1. Input 300,000 overwriting operations with WTH100100493E0.

0010 <sub>H</sub>	04 <sub>H</sub>
0011 <sub>H</sub>	93 <sub>H</sub>
0012 <sub>H</sub>	E0 <sub>H</sub>

2. Input 5 overwriting operations with MDS1001005.

0010 <sub>H</sub>	04 <sub>H</sub>
0011 <sub>H</sub>	93 <sub>H</sub>
0012 <sub>H</sub>	DB <sub>H</sub>

3. The following indicates that the number of overwriting operations is 300,000. MD76 will be returned to indicate an excessive number of overwriting operations if MDS1001000 is executed.

0010 <sub>H</sub>	00 <sub>H</sub>
0011 <sub>H</sub>	00 <sub>H</sub>
0012 <sub>H</sub>	00 <sub>H</sub>

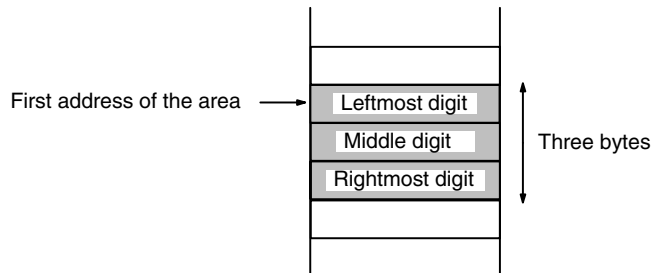
**Note** Do not use MDS and MDL commands together in a Data Carrier. Doing so would disable lifetime management.



**MDL Command**

The management area consists of three bytes beginning with the first address of the area. When the MDL command is executed, the specified number of overwriting operations is added from the present number and the result is written to this area. If it is 100,000 (0186A0<sub>H</sub>) or over, end code 76 will be returned as a warning. The number of overwriting operations up to the present time is written in the management area as hexadecimal data. The data can also be read using the read command.

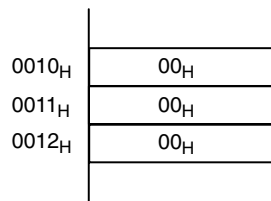
If the number of overwriting operations in the management area is already 100,000 or over, the hexadecimal data value will not be renewed. In this case, only the warning will be returned when the MDL command is executed. If the MDL command is executed with 00<sub>H</sub>, nothing will be written to the hexadecimal data but the number of overwriting operations up to the present time can be checked.



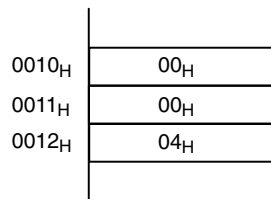
**MDL Command Execution Example**

In the following example, three bytes beginning with address 0010<sub>H</sub> are specified as the management area for overwriting operations.

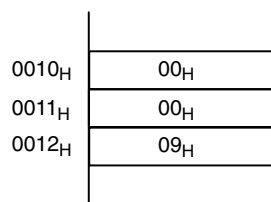
- 1, 2, 3... 1. Clear the management area first with WTH1001000000.



2. Input 4 overwriting operations with MDL1001004.



3. Input 5 as the next number of overwriting operations with MDL1001005 make the total overwriting operations 9.



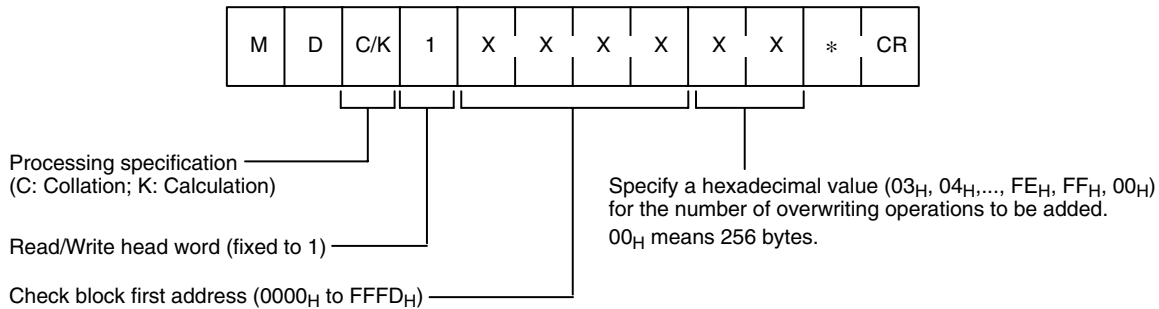
4. The following indicates that the number of overwriting operations is 100,000. MD76 will be returned to indicate that an excessive number of overwriting operations will result if MDL1001000 is executed.

0010 <sub>H</sub>	01 <sub>H</sub>
0011 <sub>H</sub>	86 <sub>H</sub>
0012 <sub>H</sub>	A0 <sub>H</sub>

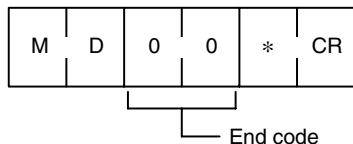
## 5-5 Checking Function of the Data Carrier's Memory

A Data Carrier memory check is possible by executing the data check command MD. CRC (Cyclic Redundancy Check) code calculation, data writing, and data collation are possible in a check block specified by the user. A CRC code is calculated with the generating function  $X^{16} + X^{12} + X^5 + 1$ .

### Command Format



### Response Format

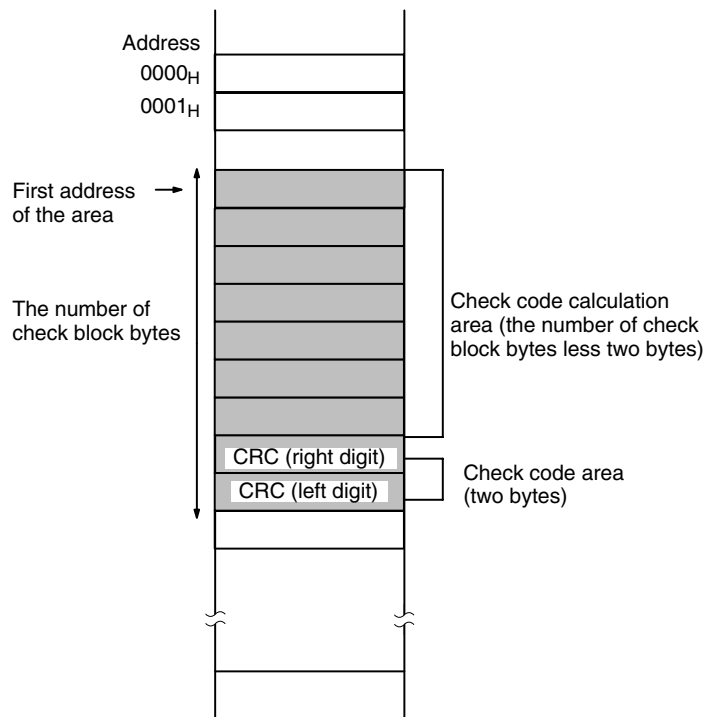


**Note:** The unit number is required for 1-to-n procedure(s).

- End code
- 00: Normal completion (at the time of calculation processing only)
  - 75: Normal data (at the time of collation processing only)
  - 76: Data abnormal warning (at the time of collation processing only)

In each check block consisting of the first address and the number of bytes specified by the user, the area excluding the last two bytes is the calculation area and the last two-byte area is the check code area of the check block.

If check code write processing is specified with processing code K, the CRC of the data in the calculation area is calculated and the result is written to the check code area. If data collation is specified with processing code C, the CRC of the data in the calculation area is calculated and the result is compared with the data in the check code area. If the result coincides with the data in the check code area, end code 75 will be returned. If they do not coincide with each other, end code 76 will be returned as a warning.



**Data Carrier Memory Check Command Example**

In the following example, the data in addresses 0010<sub>H</sub> to 0012<sub>H</sub> are checked on condition that the following data exists in these addresses.

0010 <sub>H</sub>	12 <sub>H</sub>
0011 <sub>H</sub>	34 <sub>H</sub>
0012 <sub>H</sub>	56 <sub>H</sub>
0013 <sub>H</sub>	
0014 <sub>H</sub>	

- 1, 2, 3...** 1. Execute MDK1001005 (calculation processing) so that the CRC code (5CD6<sub>H</sub>) of the data "123456" is written to addresses 0013<sub>H</sub> and 0014<sub>H</sub>.

0010 <sub>H</sub>	12 <sub>H</sub>
0011 <sub>H</sub>	34 <sub>H</sub>
0012 <sub>H</sub>	56 <sub>H</sub>
0013 <sub>H</sub>	5C <sub>H</sub>
0014 <sub>H</sub>	D6 <sub>H</sub>

2. Execute MDC1001005 (collation processing). If the result coincides with the data in the check code area, MD75 will be returned as a normal response.

0010 <sub>H</sub>	12 <sub>H</sub>
0011 <sub>H</sub>	34 <sub>H</sub>
0012 <sub>H</sub>	56 <sub>H</sub>
0013 <sub>H</sub>	5C <sub>H</sub>
0014 <sub>H</sub>	D6 <sub>H</sub>

3. If the result does not coincide with the data in the check code area, MD76 will be returned as a warning.

## 5-6 Troubleshooting

The following are the major causes of ID Controller malfunctioning:

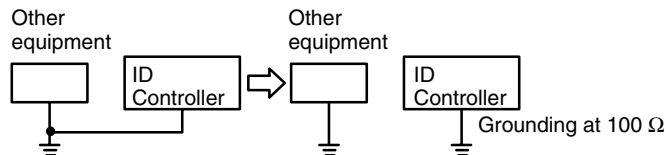
Cause	Measures
Influence of noise	Take countermeasures against noise.
Malfunctioning of external devices	Repair is needed.
Malfunctioning of ID Controller	
Others	

### Influence of Noise

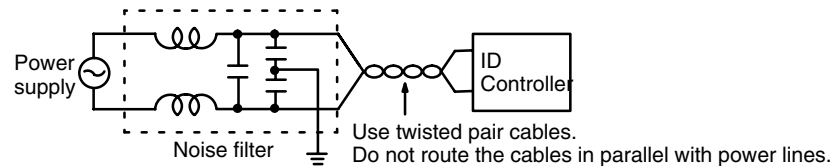
If the system malfunctions due to noise, take appropriate countermeasures against noise by referring to the following table:

No.	Occurrence	Possible cause	Countermeasures
1	On power application to motor, transformer, or capacitor.	Momentary voltage drop due to inrush current of large load.	Increase the capacity of the power supply facility or use larger power cables.
		Common mode noise due to the above.	Supply power through 1:1 non-grounded insulated transformer. Do not share the ground lines with other high-capacity loads. Independently ground at less than 100 Ω.
2	Irregular.	Noise superimposed on power lines.	Supply power through 1:1 non-grounded insulated transformer or noise filter.
3	Input signal turns ON when it should be OFF.	Inductive noise of input wiring.	Separate input signal lines from other power lines. If the influence of noise is high, route input lines using a grounded metal conduit or use shielded cables.

#### (1) Improvement of grounding



#### (2) Countermeasures against noise



## 5-7 Maintenance and Inspection

To always keep the ID Controller in the best condition, the Controller should be inspected daily or periodically. Although the ID Controller consists of semiconductor devices, without a limited life, the following troubles may occur depending on the environments and conditions in which the ID Controller is operated:

- 1, 2, 3...**
1. Degradation of elements due to overcurrent and overvoltage.
  2. Degradation of elements due to long-term stress, if the ID Controller is used at high temperatures.
  3. Degradation of insulation and faulty connector contact of due to humidity and dust.
  4. Faulty connector contact or corrosion due to corrosive gas.

### Items of Inspection

No.	Item	Particulars	Criteria	Remarks
1	Supply voltage fluctuation	Voltage measured at terminal block within rated range?	Supply voltage must be within rated range.	Tester
		Momentary power failure frequently occurs? Abrupt rise in supply voltage occurs?	Supply voltage must be within rated range.	Power analyzer
2	Environments: (a) Temperature (b) Humidity (c) Vibration, shock (d) Dust (e) Corrosive gas	(a), (b) Must be within rated values  (c) Is the Controller subject to vibration or shock from surrounding machines?  (d) Does dust or foreign object collect on the Controller?  (e) Are the metallic parts discolored or corroded?	(a) $-10^{\circ}$ to $+55^{\circ}\text{C}$  (b) 35 to 85% RH.  (c) Must be in specified range.  (d) Must be free from dust and foreign objects.  (e) Must be free from discoloration and corrosion.	Thermometer, hygrometer
3	Condition of pane: (a) Is ventilation good?  (b) Is packing damaged in the sealed panel?	(a) Natural ventilation, forced ventilation, and air conditioning are adequate?  (b) Are panel packings loose or damaged?	(a) Good ventilation is essential. Temperature in panel must be $-10^{\circ}$ to $+55^{\circ}\text{C}$ .  (b) Must be free from damage.	---
4	I/O power (a) Voltage fluctuation (b) Ripple	Is voltage measured at terminal block of each I/O within rated level?	Must be within rated range.	Tester, oscilloscope
5	Mounting condition	(1) Is each device fixed securely?	Must be tightened.	---
		(2) Are connectors inserted securely?	Must be locked and tightened with screws.	---
		(3) Aren't screws of terminal block loose?	Must not be loose.	---
		(4) Is the wiring damaged?	Must be free from damage.	---
		(5) Are the communications specifications between DC and R/W Head satisfied?	Must be within rated range.	---
6	Battery life of DC	Check the DC date of production.	Must be within guaranteed period.	---
7	Error logging	Check error.	---	---

**WARNING**

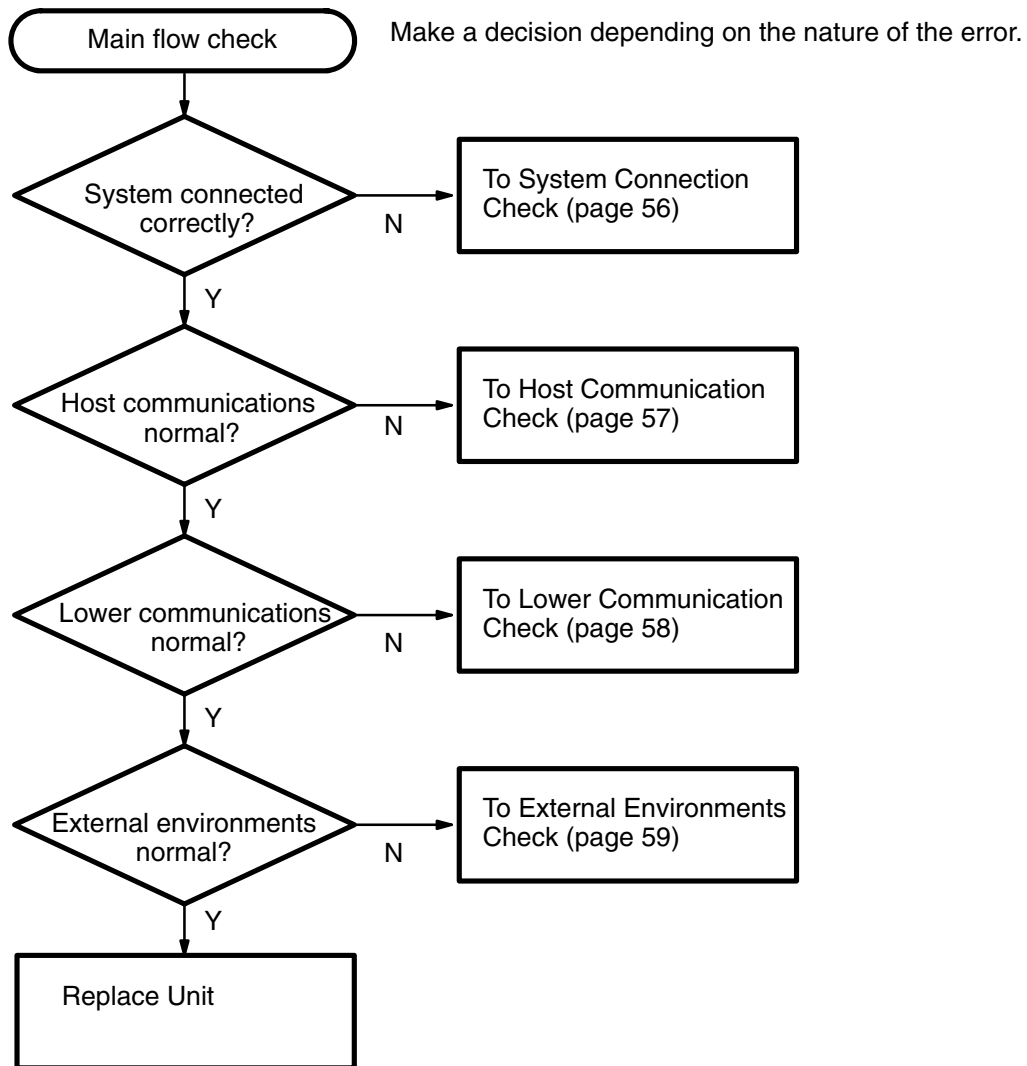
A lithium battery is provided with the Data Carrier in order to backup the memory. When the battery life ends, do not throw the battery into fire as it may explode.



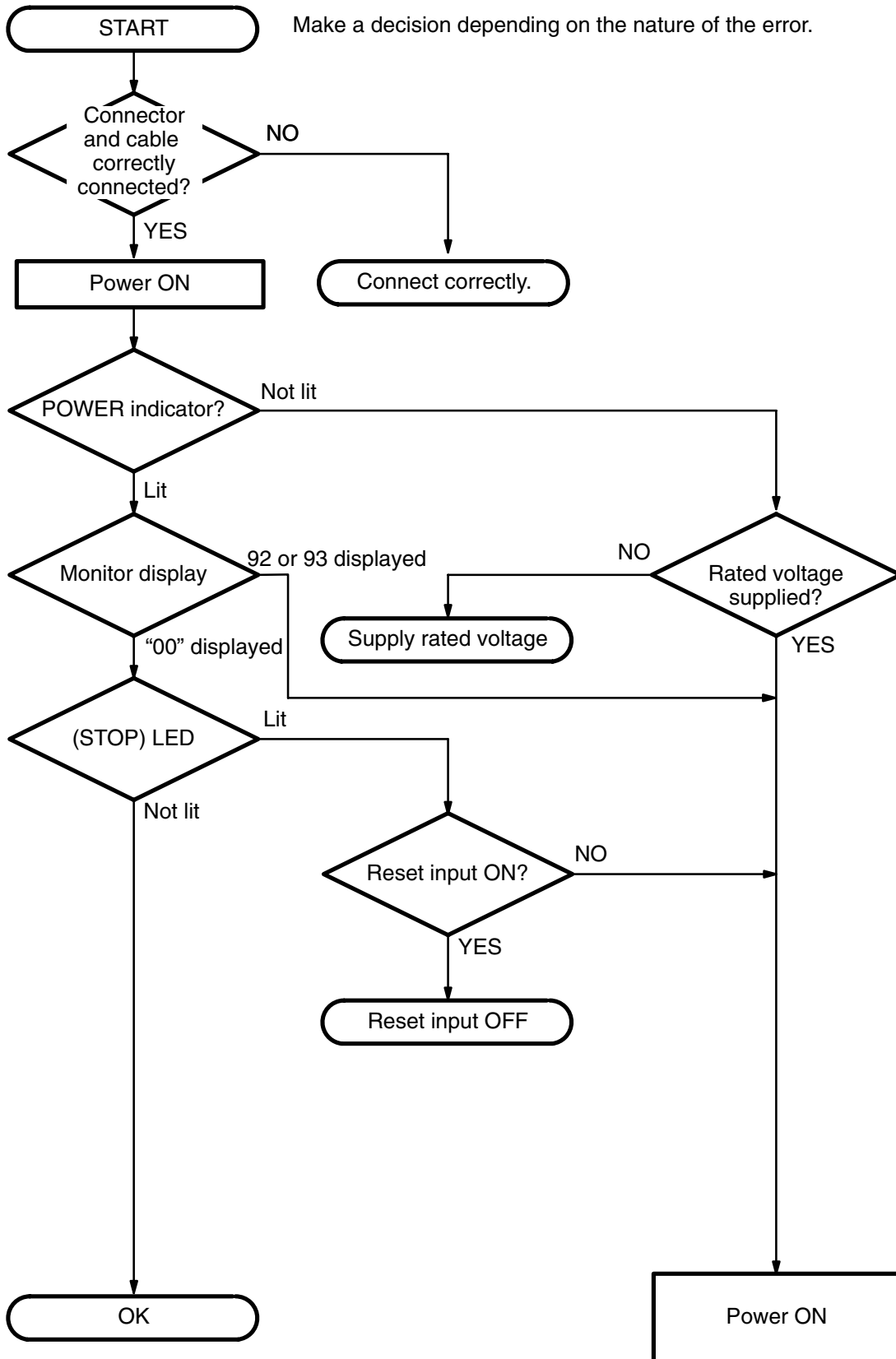
## 5-8 Systems Check

If a malfunction has occurred, carefully investigate the surrounding conditions and check whether the trouble still persists or is related to other equipment. Then track down the malfunction according to the following procedure:

### Main Check

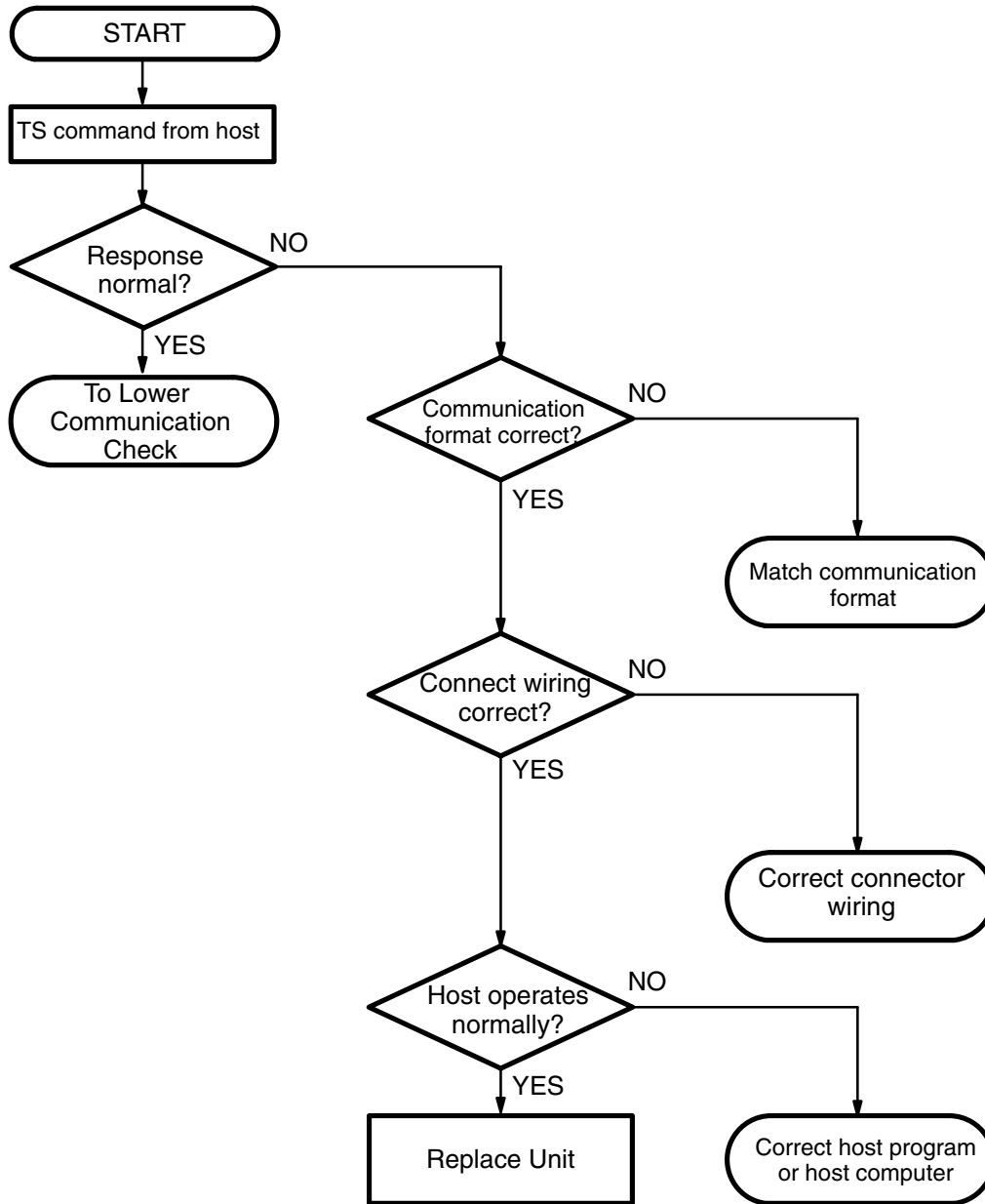


**System Connection Check**

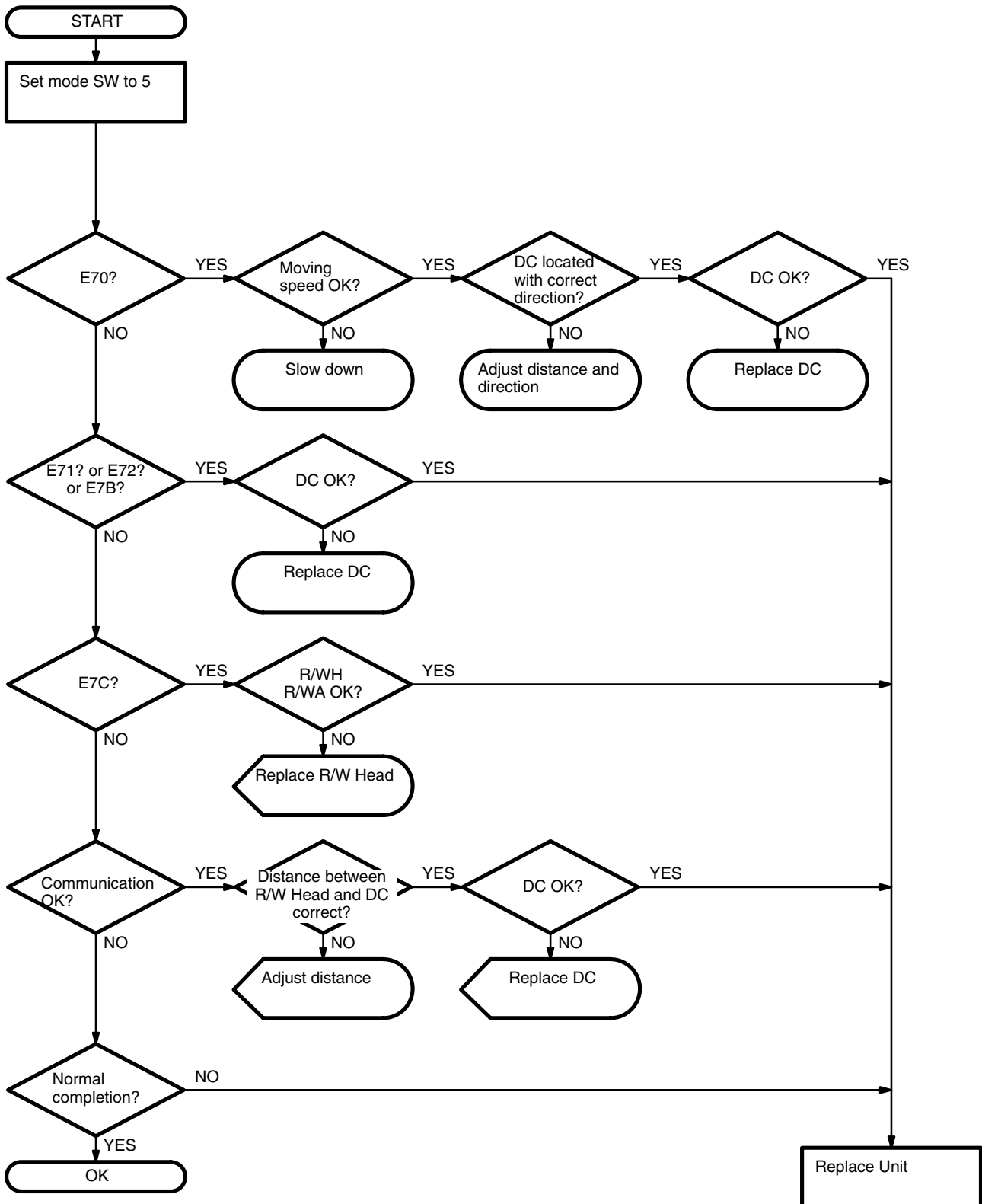




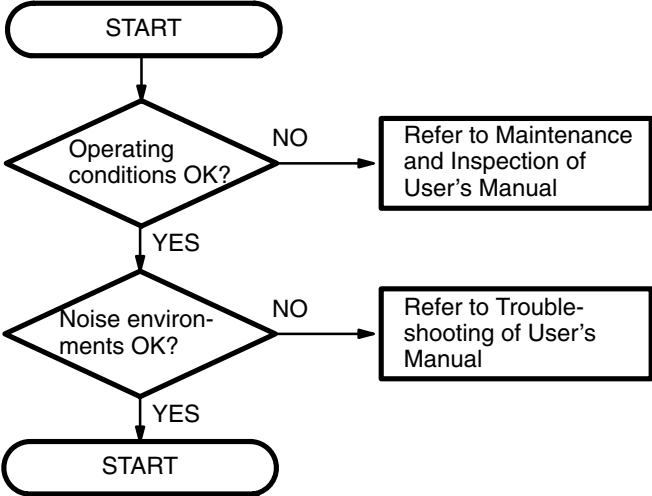
**Host Communication Check**



**Lower Communication Check**



**External Environments Check**



# Appendix A Codes

## JIS 8 Code List (ASCII List)

Higher digits		Lower digits																					
b8~b5		0000	0001	0010	0011	0100	0101	0110	0111	1000	1001	1010	1011	1100	1101	1110	1111						
b4~b1	Row																						
	Column	0	1	2	3	4	5	6	7	8	9	10	11	12	13	14	15						
0000	0	NUL	TC <sub>7</sub> (DLE)	(SP)	0	@	P	`	p	↑	↑	Undef.	-	夕	ミ	↑	↑						
0001	1	TC <sub>1</sub> (SOH)	DC <sub>1</sub>	!	1	A	Q	a	q	↑	↑	↑	。	ア	チ	ム	↑	↑					
0010	2	TC <sub>2</sub> (STX)	DC <sub>2</sub>	"	2	B	R	b	r	↑	↑	↑	「	イ	ツ	メ	↑	↑					
0011	3	TC <sub>3</sub> (ETX)	DC <sub>3</sub>	#	3	C	S	c	s	↑	↑	↑	」	ウ	テ	モ	↑	↑					
0100	4	TC <sub>4</sub> (EOT)	DC <sub>4</sub>	\$	4	D	T	d	t	↑	↑	↑	、	エ	ト	ヤ	↑	↑					
0101	5	TC <sub>5</sub> (ENQ)	TC <sub>8</sub> (NAK)	%	5	E	U	e	u	Undefined	Undefined	↑	。	オ	ナ	ユ	Undefined	Undefined					
0110	6	TC <sub>6</sub> (ACK)	TC <sub>9</sub> (SYN)	&	6	F	V	f	v				↑	↑	↑	ヲ			カ	ニ	ヨ	↑	↑
0111	7	BEL	TC <sub>10</sub> (ETB)	'	7	G	W	g	w				↑	↑	↑	ァ			キ	ヌ	ラ	↑	↑
1000	8	FE <sub>0</sub> (BS)	CAN	(	8	H	X	h	x				↑	↑	↑	ィ			ク	ネ	リ	↑	↑
1001	9	FE <sub>1</sub> (HT)	EM	)	9	I	Y	i	y	↑	↑	↑	ゥ	ケ	ノ	ル	↑	↑					
1010	10	FE <sub>2</sub> (LF)	SUB	*	:	J	Z	j	z	↑	↑	↑	エ	コ	ハ	レ	↑	↑					
1011	11	FE <sub>3</sub> (VT)	ESC	+	;	K	[	k	{	↑	↑	↑	オ	サ	ヒ	ロ	↑	↑					
1100	12	FE <sub>4</sub> (FF)	IS <sub>1</sub> (FS)	,	<	L	¥	l	l	↑	↑	↑	ヤ	シ	フ	ワ	↑	↑					
1101	13	FE <sub>5</sub> (CR)	IS <sub>2</sub> (GS)	-	=	M	]	m	}	↑	↑	↑	ユ	ス	ヘ	ン	↑	↑					
1110	14	S0	IS <sub>2</sub> (RS)	.	>	N	^	n	-	↑	↑	↑	ヨ	セ	ホ	”	↑	↓					
1111	15	S1	IS <sub>1</sub> (US)	/	?	O	-	o	DEL	↓	↓	↓	ッ	ソ	マ	。	↓	Undef.					

- Note**
1. The code at the 5th row, 12th column is “\” in ASCII code.
  2. CR cannot be used as text data.

# Appendix B

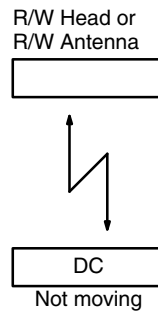
## Auto Read/Auto Write

### Use of Auto Read/Auto Write Command

Generally, the read or write command is used while the DC is not moving. The auto command, in contrast, is used while the DC is moving.

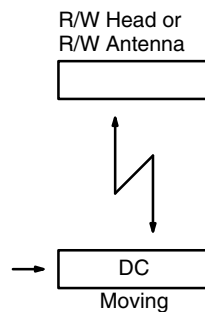
### Read/Write Commands

- The communication distance width is wider than when the DC is moving, so that communications can be accurately performed.

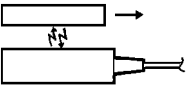
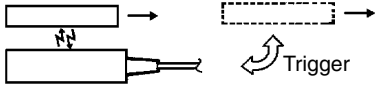


### Auto Read/Write Commands

- By using the auto command, the approaching or missing DC can be automatically detected.
- If the DC moving speed is low and positioning is accurate, the communication is not limited by distance (within reason).



### Application Example of Command

Item	Application	Description	Note
Command transmission by timer	<p>Transmits next auto command after response is returned.</p>  <p>R/W Head or R/W Antenna</p>	<ul style="list-style-type: none"> <li>-When DC passes through the communications area of R/W Head at fixed intervals.</li> <li>- If a long time elapses before next DC arrives.</li> <li>- Overlapping of the same communication with the same DC can be avoided if wait time during which DC leaves the communication area elapses after the end of communication.</li> </ul>	<ul style="list-style-type: none"> <li>- Keep transportation speed constant.</li> <li>- Valid only for systems where communication is not made more than once with same DC.</li> <li>- Make sure that another DC does not pass through the area.</li> </ul>
Trigger	<p>Transmits next auto command when some trigger is received after a response is returned.</p>  <p>R/W Head or R/W Antenna</p>	<ul style="list-style-type: none"> <li>- For example, auto command is transmitted after end of processing of preceding process is confirmed.</li> <li>- Trigger must be input before the next DC approaches.</li> </ul>	<ul style="list-style-type: none"> <li>- Trigger processing is necessary.</li> <li>- Make sure that the trigger is accurately input.</li> </ul>

### Communications Connector

Plug	Hood	Type	Maker
XM2A-0901	XM2S-0911	Solder	OMRON

# Appendix C

## Specifications and Ratings

### General Ratings and Characteristics

#### Ratings

<b>Supply voltage</b>		24 VDC
<b>Operating voltage range</b>		20.4 to 26.4 VDC (24 <sup>+15%</sup> / <sub>-15%</sub> VDC)
<b>Power consumption</b>		7.2 W max. (24 V, 0.3 A)
<b>Insulation resistance</b>		50 MΩ min. (at 500 VDC) between: Power terminals and case I/O terminals and case Power terminals and I/O terminals
<b>Dielectric strength</b>		1,000 VAC 50/60 Hz for 1 minute. Leakage current: 10 mA max. for each of the above combinations.
<b>Noise immunity</b>		1,500 Vp-p, pulse width: 100 ns to 1 μs, rise time: 1 ns (common mode noise) 600 Vp-p (normal mode noise)
<b>Vibration</b>	<b>Mechanical durability</b>	10 to 150 Hz, 0.3 mm double amplitude for 32 minutes in X, Y, and Z directions.
	<b>Malfunction durability</b>	10 to 150 Hz, 0.2 mm double amplitude for 32 minutes in X, Y, and Z directions.
<b>Shock</b>		200 m/s <sup>2</sup> , three times in X, Y, and Z directions.
<b>Operating temperature</b>		-10° to 55°C
<b>Operating humidity</b>		35% to 85% RH (without condensation)
<b>Atmosphere</b>		Must be free from corrosive gas.
<b>Storage temperature</b>		-25° to 65°C
<b>Protection Class</b>		Class I (with protective conductor terminal)
<b>Protection rating</b>		IEC60529: IP30 (panel mounting)
<b>Approved standards</b>		EN50081-2 (see note) EN50082-2 (see note) FCC Part 15 Subpart B
<b>Pollution degree</b>		2
<b>Weight</b>		360 g

**Note** For V600-CD1D-V3.

#### Characteristics

<b>Self-diagnosis function</b>	CPU error, memory error, power failure, communications error check
--------------------------------	--

## I/O Specifications

### External I/O Specifications

#### Input Specifications (RESET, TRIG, IN1, IN2)

Input voltage	24 VDC +10%/−15% (including ripple)
Input impedance	2.2 kΩ
Input current	10 mA at 24 VDC (typical)
ON voltage	19 V min.
OFF voltage	5 V max.
Input response time	70 ms max.

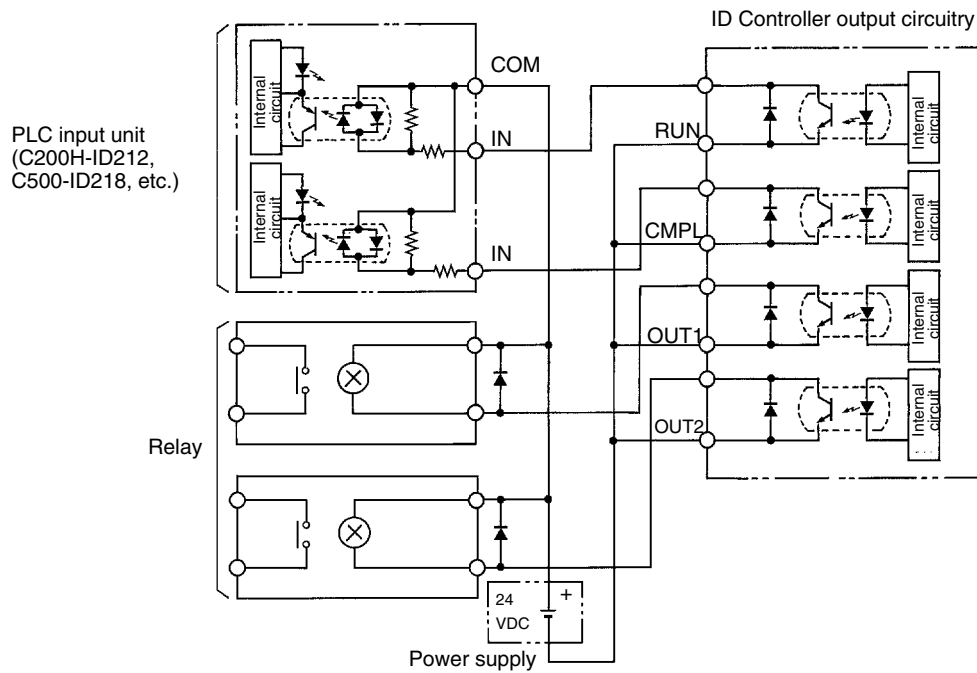
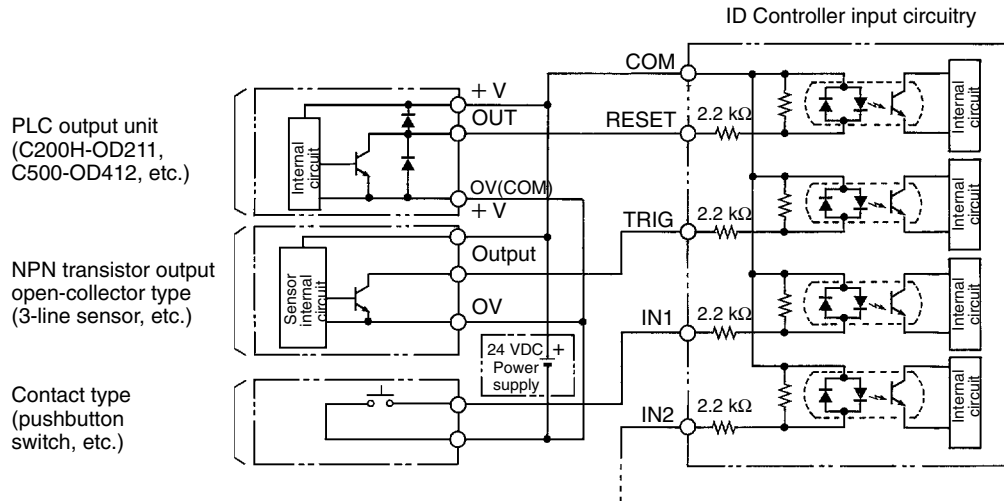
#### Output Specifications (RUN, CMPL, OUT1, OUT2)

Max. switching capacity	24 VDC +10%/−15% (including ripple), 100 mA
Leakage current	100 μA max
Residual voltage	2.0 V max.

- Note**
1. When the RESET input is ON, the CPU stops and the STOP indicator light.
  2. If the terminals are short-circuited without load, the internal transistor may be damaged.



### Wiring Examples of I/O Devices



**Note** Use the bi-directional Input Unit on the PC.

## Communications Specifications

The communications specifications conform to RS-232C, and a general-purpose factory computer or personal computer can be connected to the ID Controller. The communications protocol conform to SYSWAY (SYSMAC host computer system).

### Host Computer Communications Specifications

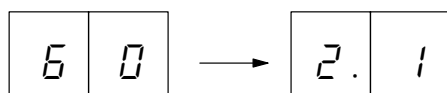
<b>Standard</b>	RS-232C
<b>Transmission path connection</b>	Point-to-point
<b>Communications method</b>	Two-line, half-duplex
<b>Synchronization method</b>	Start-stop synchronization (stop bit = 1 or 2)*
<b>Transmission rate</b>	2,400/4,800/9,600/19,200 bps*
<b>Transmitted codes</b>	ASCII (7 bits) or JIS*
<b>Communications control procedure</b>	Point-to-point procedure
<b>Error detection</b>	Vertical parity (even/odd/none)*
<b>Line length</b>	15 m max.
<b>Connector</b>	XM2A-0901 (plug): 1 set is supplied with ID Controller XM2S-0911 (hood): As an accessory
<b>Recommended cable</b>	5PX28AWG, 7 dia.

**Note** \*Set by the internal DIP switch.

### Checking the Version

The ID Controller version can be checked using the following method.

1. Turn ON the power supply to the V600-CD1D-V□.
2. The version will be displayed on the monitor as shown below.



# Appendix D

## Conformity to Standards

### EC Directives

We hereby declare that the following products are in conformity with the requirements of the EC Directive listed below:

#### Identification System

V600-CD1D-V3 ID Controllers

V600-H□□-□ Read/Write Heads

V600-D□□□-□ Data Carriers

No. of Directive: 89/336/EEC

Title of Directive: Electromagnetic Compatibility

The above referenced products conform to the following standards:

#### Electromagnetic Compatibility

EMI (Electromagnetic Interference):

Radiated EN50081-2: 1994 / EN55011: 1991

EMS (Electromagnetic Susceptibility):

Electrostatic Discharge EN50082-2: 1995 / EN61000-4-2: 1995

RF Electromagnetic Field EN50082-2: 1995 / ENV50140: 1994

RF Common Mode EN50082-2: 1995 / ENV50141: 1994

Electrical Fast Transient Burst EN50082-2: 1995 / EN61000-4-4: 1995

Power-Frequency Magnetic Field EN50082-2: 1995 / EN61000-4-8: 1993

### Technical Data

Intended Environment: Industrial

1. Type designation: V600-CD1D-V3
2. Host interface: RS-232C
3. Number of Read/Write Heads connectable: 1 channel
4. Rated power supply voltage: 24 VDC
5. Acceptable power supply voltage: 20.4 to 26.4 VDC
6. Power consumption: 7.2 W max.
7. Dielectric strength: 1,000 VAC, between live parts and protective grounding conductor
8. Ambient air temperature: Operating -10° to 55°C  
Storage -25° to 65°C
9. IP rating (IEC60529): IP30 (for inner-panel installation)
10. Pollution rating: 2 (controlled environment)
11. Electromagnetic Compatibility (EMC)
  - a) Field Withstandability: 10 V/m
  - b) RF Common Mode: 10 V
  - c) Electrostatic Discharge Withstandability: 4 kV (Contact)  
8 kV (Air)
  - d) Fast Transient Withstandability: 2 kV (DC power)  
1 kV (Signal line)
  - e) Radiated Emission: Class A, Group 1

## Model Legend

• ID Controllers

V600-CD1D-V3-□  
 I II III IV

- I – V600: Inductive Identification System
- II – CD1D: One Read/Write Head connectable
  - Serial interface
  - DC power supply model
- III – V3: Version 3
- IV – □: Blank – Standard model  
 Suffix(es) – For marketing purposes

• Read/Write Heads

V600-H□□□-□  
 I II III IV V

- I – V600: Inductive Identification System
- II – H: Read/Write Head
- III – □: Shape – 0 or 1 Square type  
 – 5 Cylindrical type
- IV – □: Serial number
- V – □: Blank – Standard model  
 Suffix(es) – For marketing purposes

• Data Carriers

V600-D□□□□-□  
 I II III IV V VI

- I – V600: Inductive Identification System
- II – D: Data Carrier
- III – □: Memory Capacity – 2K 2K bytes  
 – 8K 8K bytes  
 – 23 256 bytes
- IV – □: Memory type – R SRAM  
 – P EEPROM
- V – □: Serial number
- VI – □: Blank – Standard model  
 Suffix(es) – For marketing purposes

## **FCC (Federal Communications Commission)**


### **FCC Part 15 Subpart B**

For a Class A digital device or peripheral, the instructions furnished the user shall include the following or similar statement placed in a prominent location in the text of the manual:

**Note** This equipment has been tested and found to comply with the limits for a Class A digital device, pursuant to Part 15 of the FCC Rules. These limits are designed to provide reasonable protection against harmful interference when the equipment is operated in a commercial environment. This equipment generates, uses, and can radiate radio frequency energy and, if not installed and used in accordance with the instruction manual, may cause harmful interference to radio communications. Operation of this equipment in a residential area is likely to cause harmful interference in which case the user will be required to correct the interference at his own expense.

## Revision History

A manual revision code appears as a suffix to the catalog number on the front cover of the manual.

Cat. No. Z083-E1-04A  


The following table outlines the changes made to the manual during each revision. Page numbers refer to the previous version.

Revision code	Date	Revised content
1	February 1992	Original production
1A	April 1993	<b>Pages 20, 68</b> : Recommended cable model corrected.
2	November 1993	<b>Pages 2, 3</b> : New features of the V600-CD1D-V2 added. <b>Page 3</b> : Clarification made for the bottom part of diagram. <b>Pages 13</b> : DIP Switch 1 data corrected. <b>Pages 34</b> : Table revised. <b>Pages 44 to 46</b> : Subsections 4-4-10 and 4-4-11 added. <b>Pages 55</b> : Warning code table added. <b>Pages 56 to 60</b> : Subsections 5-4-2 and 5-5 added.
3	August 1998	Information relating to EC Directives added throughout the manual. V600-CD1D-V3 added throughout the manual. “FA ID System” changed to “RFID System” throughout the manual. <i>Appendix D Conformity to Standards</i> added.
04	November 2002	<b>Page 2</b> : V620 deleted in one place. Information on conformance to EN standards added. <b>Page 3</b> : Information on MDS command added to the table. <b>Pages 4, 16</b> : ID Controller model number changed to V600-CD1D-V□. <b>Page 38</b> : R changed to W in one place. <b>Pages 43, 44, 53, 54, 55</b> : Information on MDS command added in several places. <b>Page 71</b> : Notation for shock specification changed. <b>Page 74</b> : Information on checking the ID Controller version added. <b>Back cover</b> : Addresses changed.
04A	December 2004	Warranty and liability information added to beginning of manual, signal word and alert symbols modified, and style of safety information in the body of the manual changed.