

SmartStep Cables Wiring

Encoder Cable

Servo Drive (CN2)

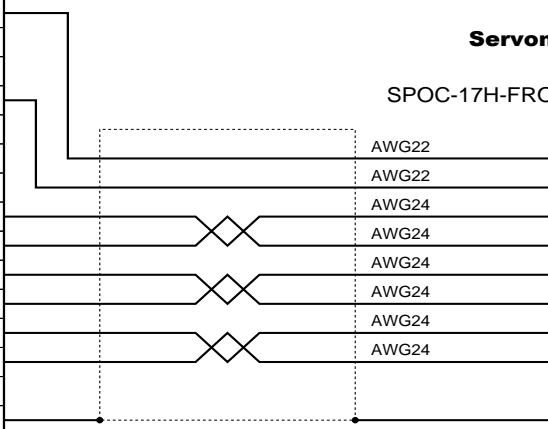
Connector:
R7A-CNA01R (3M)

Symbol	No.
E0V	1
E0V	2
E0V	3
E5V	4
E5V	5
E5V	6
-	7
S+	8
S-	9
A+	10
A-	11
B+	12
B-	13
-	14
FG	Shell

Servomotor Encoder

Connector:
SPOC-17H-FRON169 (Hypertac)

No.	Symbol
9	E0V
8	E5V
5	S+
6	S-
1	A+
2	A-
3	B+
4	B-
Shell	FG



Power cable

Servomotor Power

Connector:
SPOC-06K-FSDN169 (Hypertac)

No.	Symbol
1	U phase
2	V phase
3	W phase
4	Brake
5	Brake
6	FG

