



Flat Cable Connector DCN4-□□4D

Flat cables available for DeviceNet!
Approved by ODVA.



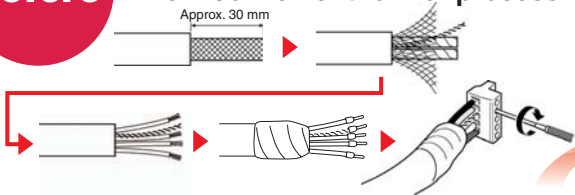
Click

Easy connection.

Now operational **30x faster** than before.

before

The inconvenient former process.



■ A screwless construction for a cable with fewer problems.



DCN4-SF4D **NEW**



DCN4-TP4D **NEW**



DCN4-BR4D **NEW**



DCN4-TR4-1 **NEW**

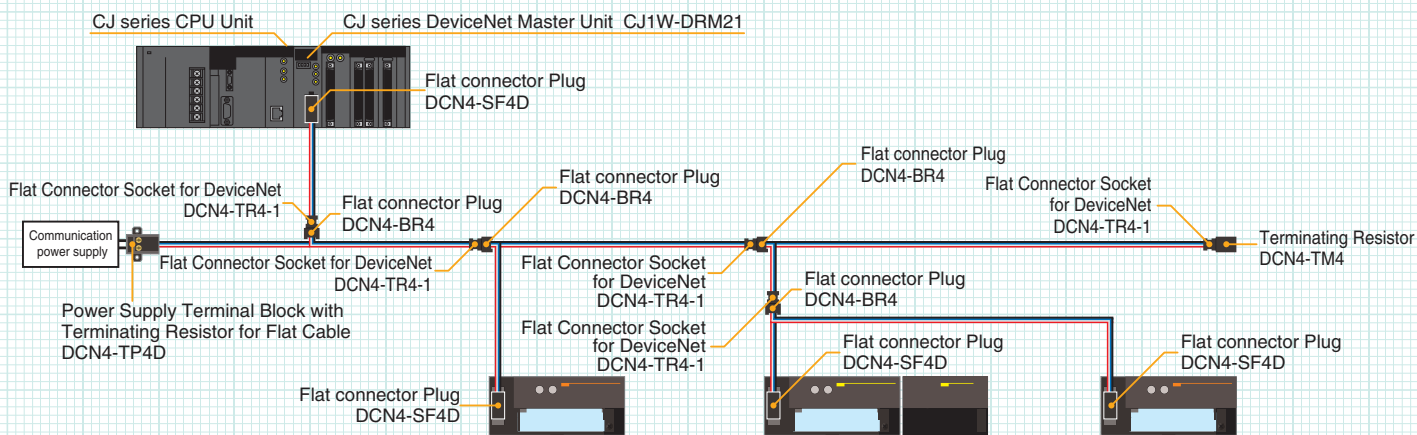


DCN4-BR4

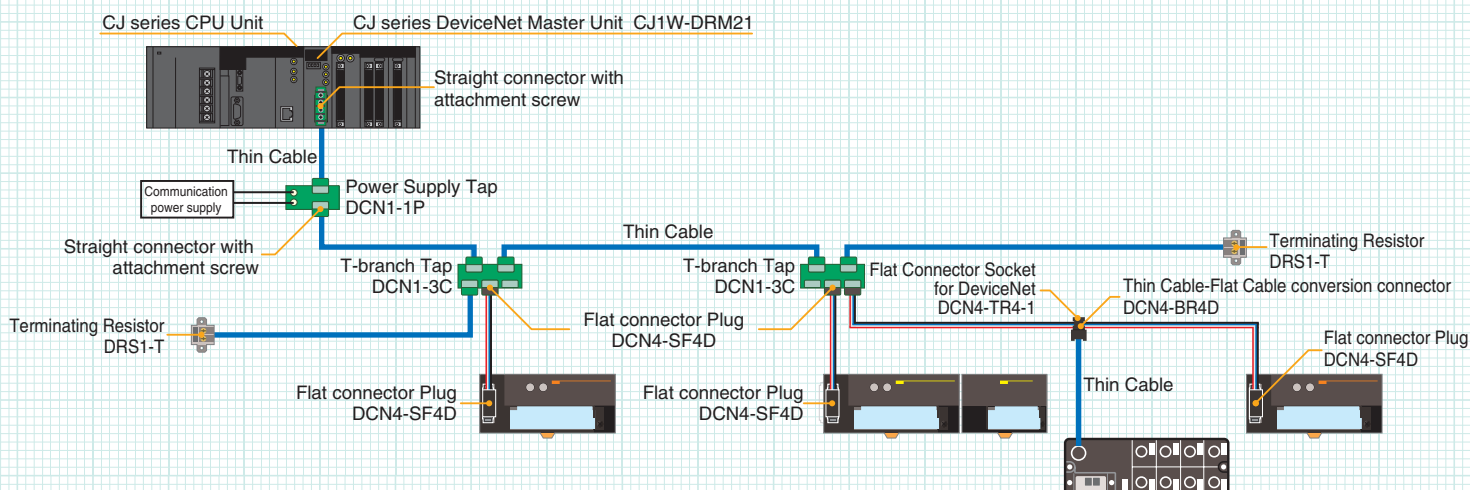


DCN4-TM4

System Configuration Diagram for All Flat Cables



System Configuration Diagram for Mixed Cables



Ordering Guide

* DeviceNet is a registered trademark of ODVA.

| Product Name | Type |
|--|-----------------------|
| Flat Cable Connector | NEW DCN4-SF4D |
| Flat Connector Socket for DeviceNet | NEW DCN4-TR4-1 |
| Flat connector Plug | DCN4-BR4 |
| Thin Cable-Flat Cable conversion connector | NEW DCN4-BR4D |
| Power Supply Terminal Block with Terminating Resistor for Flat Cable | NEW DCN4-TP4D |
| Terminating Resistor | DCN4-TM4 |
| Flat Cable (100m) | DCA4-4F10 |
| Special Tool for Flat Cable | DWT-A01 |

* Delivered in units of 10 pcs. Please place your order in units of 10 pcs.

OMRON Corporation
Industrial Automation Company
Control Devices Division H.Q.
Network Devices Department

Shiokoji Horikawa, Shimogyo-ku,
Kyoto, 600-8530 Japan
Tel: (81) 75-344-7116/Fax: (81) 75-344-7149

2-2-1 Nishikusatsu, Kusatsu-shi,
Shiga, 525-0035 Japan
Tel: (81) 77-565-5219/Fax: (81) 77-565-5569

Regional Headquarters

OMRON EUROPE B.V.
Wegalaan 67-69-2132 JD Hoofddorp
The Netherlands

Tel: (31)2356-81-300/Fax: (31)2356-81-388

OMRON Industrial Automation Global: www.ia.omron.com

OMRON ELECTRONICS LLC
One Commerce Drive Schaumburg,
IL 60173-5302 U.S.A.
Tel: (1) 847-843-7900/Fax: (1) 847-843-7787

OMRON ASIA PACIFIC PTE. LTD.
No. 438A Alexandra Road # 05-05/08 (Lobby 2),
Alexandra Technopark, Singapore 119967
Tel: (65) 6835-3011/Fax: (65) 6835-2711

OMRON (CHINA) CO., LTD.
Room 2211, Bank of China Tower,
200 Yin Cheng Zhong Road,
PuDong New Area, Shanghai, 200120, China
Tel: (86) 21-5037-2222/Fax: (86) 21-5037-2200

Authorized Distributor:

© OMRON Corporation 2008 All Rights Reserved.
In the interest of product improvement,
specifications are subject to change without notice.

Printed in Japan
0708-I

Cat. No. R152-E1-01