

Three-phase Voltage Relay K8AB-PW

Ideal for monitoring 3-phase power supplies for industrial facilities and equipment.

- Monitor overvoltages and undervoltages for three-phase 3-wire or 4-wire power supplies.
DIP switch setting for 3-phase 3-wire or 3-phase 4-wire power supply.
- Two SPDT output relays, 6 A at 250 VAC (resistive load).
Separate outputs possible for overvoltages and undervoltages.
- World-wide power specifications supported by one Unit (switchable using DIP switch).
- Relay status can be monitored using LED indicator.



Model Number Structure

Model Number Legend

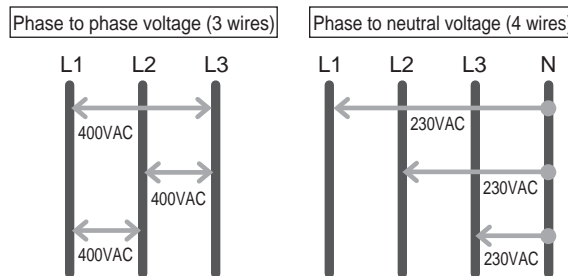
K8AB-□□

1 2 3

- Basic Model**
K8AB: Measuring and Monitoring Relays
- Functions**
PW: Three-phase Voltage Relay (Simultaneous upper and lower monitoring)
- Rated Input Voltage**
1: 115, 127, 133, 138, 200, 220, 230, 240 VAC
2: 220, 230, 240, 277, 380, 400, 415, 480 VAC

Single K8AB Monitors 3-phase Power Supply with 3 or 4 Wires

Monitoring Relays can be used to monitor 3-phase power supplies with 3 or 4 wires simply by changing DIP switch settings.



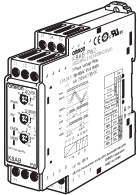
A Single K8AB Can Monitor a 3-phase Power Supply Anywhere in the World

Reduces Maintenance Parts Inventory

	SW3		ON	ON	OFF	OFF	
	SW4		ON	OFF	ON	OFF	
K8AB-P□1	SW2	ON	P-N	138V	133V	127V	115V
		OFF	P-P	240V	230V	220V	200V
K8AB-P□2	SW2	ON	P-N	277V	240V	230V	220V
		OFF	P-P	480V	415V	400V	380V

Ordering Information

■ List of Models

Three-phase Voltage Relay	Rated input (See note 2.)		Model
	3-phase 3-wire mode	200, 220, 230, 240 VAC	K8AB-PW1
	3-phase 4-wire mode	115, 127, 133, 138 VAC	
	3-phase 3-wire mode	380, 400, 415, 480 VAC	K8AB-PW2
	3-phase 4-wire mode	220, 230, 240, 277 VAC	

- Note:** 1. Three-phase, three-wire or four-wire and the input range are switched using a DIP switch.
 2. The power supply voltage is the same as the rated input voltage.

Ratings and Specifications

■ Ratings

Rated input voltage	K8AB-PW1	Three-phase, three-wire Mode: 200, 220, 230 and 240 VAC Three-phase, four-wire Mode: 115, 127, 133 and 138 VAC
	K8AB-PW2	Three-phase, three-wire Mode: 380, 400, 415 and 480 VAC Three-phase, four-wire Mode: 220, 230, 240 and 277 VAC
Input load	K8AB-PW1: 25 VA max. K8AB-PW2: 45 VA max.	
Operating value setting range (OVER, UNDER)	Overvoltage –30% to 25% of rated input voltage Undervoltage –30% to 25% of rated input voltage Note: The rated input voltage can be switched using the DIP switch.	
Operating value	100% operation at set value	
Reset value	5% of operating value (fixed)	
Reset method	Automatic reset	
Operating time setting range (T)	Overvoltage and undervoltage: 0.1 to 30 s	
Startup lock time (LOCK)	1 s or 5 s (Switched using DIP switch.)	
Indicators	Power (PWR): Green, Relay output (RY): Yellow, OVER/UNDER: Red	
Output relays	Two SPDT relays (NC operation)	
Output relay ratings	Rated load Resistive load 6 A at 250 VAC ($\cos\phi = 1$) 6 A at 30 VDC (L/R = 0 ms) Inductive load 1 A at 250 VAC ($\cos\phi = 0.4$) 1 A at 30 VDC (L/R = 7 ms) Maximum contact voltage: 250 VAC Maximum contact current: 6 A AC Maximum switching capacity: 1,500 VA Minimum load: 10 mA at 5 VDC Mechanical life: 10,000,000 operations Electrical life: Make: 50,000 times, Break: 30,000 times	
Ambient operating temperature	–20 to 60°C (with no condensation or icing)	
Storage temperature	–40 to 70°C (with no condensation or icing)	
Ambient operating humidity	25% to 85% (with no condensation)	
Storage humidity	25% to 85% (with no condensation)	
Altitude	2,000 m max.	
Terminal screw tightening torque	0.49 N·m	
Terminal wiring method	Recommended wire Solid wire: 2.5 mm ² Twisted wires: AWG16, AWG18 Note: 1. Ferrules with insulating sleeves must be used with twisted wires. 2. Two wires can be twisted together. Recommended ferrules AI 1,5-8BK (for AWG16) manufactured by Phoenix Contact AI 1-8RD (for AWG18) manufactured by Phoenix Contact AI 0,75-8GY (for AWG18) manufactured by Phoenix Contact	
Case color	Munsell 5Y8/1	
Case material	ABS resin (self-extinguishing resin) UL94-V0	
Weight	Approx. 130 g	
Mounting	Mounted to DIN Track or via M4 screws (tightening torque: 1.2 N·m)	
Dimensions	22.5 (W) × 90 (H) × 100 (D) mm	

■ Specifications

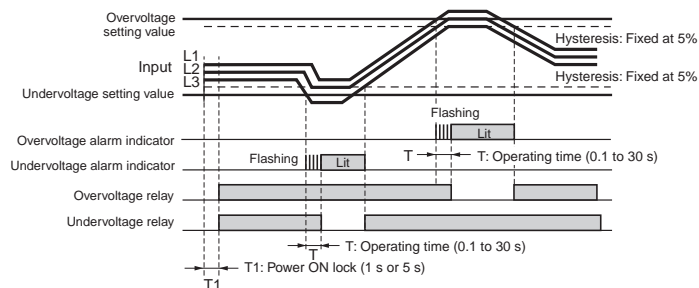
Input frequency range		45 to 65 Hz
Overload capacity		Continuous input: 115% of maximum input, 10 s max.: 125% of maximum input
Setting error	Operating value	Set value $\pm 10\%$ of rated input voltage
	Operating time	
	Startup lock time	Set value ± 0.5 s
Repeat error	Operating value	Operating value $\pm 2\%$ Error calculation: Error = ((Maximum operating value – Minimum operating value (over 10 operations))/2)/Average value $\times 100\%$
	Reset value (See note.)	Overvoltage: Operating value $\times 95\% \pm 2\%$ Undervoltage: Operating value $\times 105\% \pm 2\%$ Error calculation: Error = ((Maximum reset value – Minimum reset value (over 10 resets))/2)/Average value $\times 100\%$
	Operating time	Operating time repeat error: ± 50 ms Overvoltage: Measured when input suddenly changes from 70% to 120% of setting. Undervoltage: Measured when input suddenly changes from 120% to 70% of setting. The input voltage, however, must be between 70% and 125% of rating.
	Startup lock time	Startup lock time repeat error: ± 0.5 s (The operating time when the operating time is set to the minimum value and the power supply suddenly changes from 0% to 100%.)
Temperature influence		Operating value Drift based on measured value at standard temperature: –20°C to standard temperature: $\pm 1,000$ ppm/°C max. Standard temperature to 60°C: $\pm 1,000$ ppm/°C max. (Humidity: 25% to 80%) Operating time Fluctuation based on measured value at standard temperature: –20°C to standard temperature: $\pm 10\%$ max. Standard temperature to 60°C: $\pm 10\%$ max. (Humidity: 25% to 80%)
Humidity influence		Operating value Based on ambient humidity of 65% 25% to 80%: $\pm 5\%$ max. Operating time Based on ambient room humidity 25% to 80%: $\pm 10\%$ max.
Influence of input frequency		At 45 to 65 Hz Operating value $\pm 5\%$ Operating time $\pm 10\%$ Note: The error in the operating value and operating time under standard conditions.
Applicable standards	Conforming standards	EN60255-5 and EN60255-6 Installation environment (Pollution Degree 2, Overvoltage Category III)
	EMC	EN61326
	Safety standards	UL508
Insulation resistance		20 M Ω min. Between external terminals and case Between input terminals and output 1 terminals Between input terminals and output 2 terminals Between output 1 terminals and output 2 terminals
Dielectric strength		2,000 VAC for one minute Between external terminals and case Between input terminals and output 1 terminals Between input terminals and output 2 terminals Between output 1 terminals and output 2 terminals
Noise immunity		1,500 V power supply terminal common/normal mode Square-wave noise of ± 1 μ s/100 ns pulse width with 1-ns rise time
Vibration resistance		Frequency 10 to 55 Hz, 0.35-mm single amplitude, acceleration 50 m/s ² 10 sweeps of 5 min each in X, Y, and Z directions
Shock resistance		100 m/s ² , 3 times each in 6 directions along three axes (up/down, left/right, forward/backward)
Degree of protection		Terminal section: Finger protection

Note: The reset value is valid only for automatic resets.

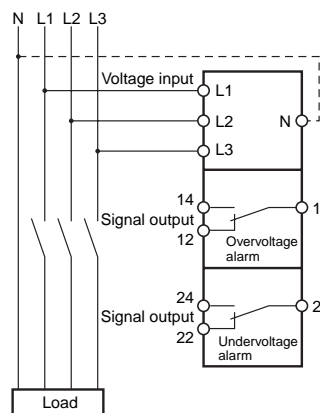
Connections

■ Wiring Diagram

Overvoltage and Undervoltage Operation Diagram

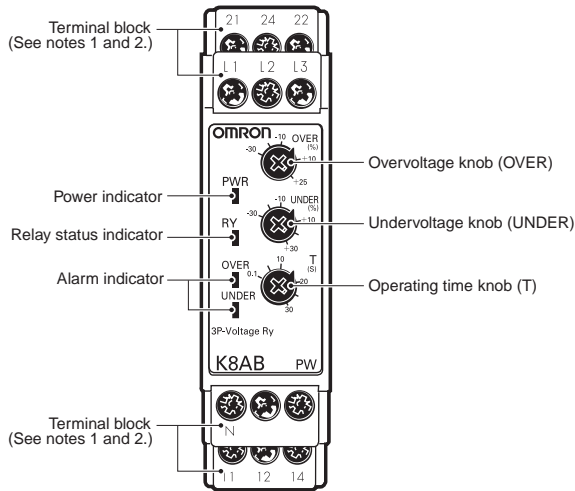


- Note:**
1. K8AB-PW output relay is normally operative.
 2. The power ON lock function prevents unnecessary alarms from being generated during the unstable period when the power is first turned ON. There is no relay output during timer operation.
 3. L1 and L2 use the same power supply and will not operate due to an undervoltage if they drop below the rated input of 60%.



Nomenclature

Front



Indicators

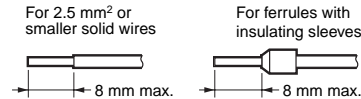
Item	Meaning
Power indicator (PWR: Green)	Lit when power is being supplied (see note).
Relay status indicator (RY: Yellow)	Lit when relay is operating (normally lit).
Alarm indicator (ALM: Red)	Overvoltage: Lit when there is an overvoltage. The indicator flashes to indicate the error status after the overvoltage has exceeded the threshold value while the operating time is being clocked.
	Undervoltage: Lit when there is an undervoltage or phase loss. The indicator flashes to indicate the error status after the undervoltage has exceeded the threshold value while the operating time is being clocked.

Note: The input across L1 and L2 is used for the internal power supply. Therefore, the power indicator will not be lit if there is no input across L1 and L2.

Setting Knobs

Item	Usage
Overvoltage knob (OVER)	Can be set between -30% and 25% of the rated input.
Undervoltage knob (UNDER)	Can be set between -30% and 25% of the rated input.
Operating time knob (T)	Used to set the operating time to 0.1 to 30 s.

Note: 1. Use either a solid wire of 2.5 mm² maximum or a ferrule with insulating sleeve for the terminal connection. The length of the exposed current-carrying part inserted into the terminal must be 8 mm or less to maintain dielectric strength after connection.



Recommended ferrules

- Phoenix Contact
- AI 1,5-8BK (for AWG16)
 - AI 1-8RD (for AWG18)
 - AI 0,75-8GY (for AWG18)

2. Tightening torque
 Recommended: 0.49 N·m
 Maximum: 0.54 N·m

■ Operation and Setting Methods

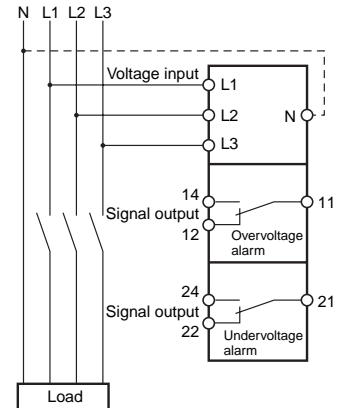
Connections

1. Input

Connect to L1, L2, and L3 (for three-phase three-wire mode) or L1, L2, L3, and N (for three-phase four-wire mode), depending on the mode selected using pin 2 on the DIP switch.
The Unit will not operate correctly if the DIP switch setting and the wiring do not agree.
Make sure the phase sequence is wired correctly. The Unit will not operate normally if the phase sequence is incorrect.

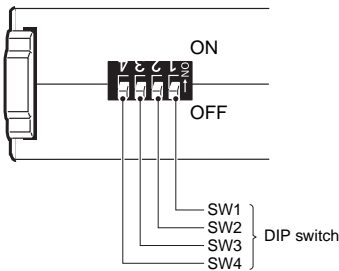
2. Outputs

Terminals 11, 12, and 14 are the output terminals for overvoltage (SPDT).
Terminals 21, 22, and 24 are the output terminals for undervoltage (SPDT).



DIP Switch Settings

The Startup lock time, number of wires, and rated voltage are set using the DIP switch located on the bottom of the Unit.



DIP Switch Functions

K8AB-PW1

SWITCH	ON ● ↑ OFF ○ ↓	DIP SWITCH			
		4	3	2	1
Power ON lock time	5 s	---	---	---	●
	1 s	---	---	---	○
Number of wires	Three-phase, four-wire	---	---	●	---
	Three-phase, three-wire	---	---	○	---
Rated voltage	Three-phase, three-wire				
	240 V	●	●	---	---
	230 V	●	○	---	---
	220 V	○	●	---	---
	200 V	○	○	---	---

Note: All pins are set to OFF at the factory.

K8AB-PW2

SWITCH	ON ● ↑ OFF ○ ↓	DIP SWITCH			
		4	3	2	1
Power ON lock time	5 s	---	---	---	●
	1 s	---	---	---	○
Number of wires	Three-phase, four-wire	---	---	●	---
	Three-phase, three-wire	---	---	○	---
Rated voltage	Three-phase, three-wire				
	Three-phase, four-wire				
	480 V	●	●	---	---
	415 V	●	○	---	---
	400 V	○	●	---	---
	380 V	○	○	---	---

Note: All pins are set to OFF at the factory.

Setting Method

1. Overvoltage

The overvoltage knob (OVER) is used to set the overvoltage.

The overvoltage can be set to between -30% and 25% of the rated input voltage.

Turn the knob while there is an input to the input terminals until the alarm indicator flashes (when the set value and the input have reached the same level.)

Use this as a guide to set the voltage.

The rated input depends on the model and DIP switch setting.

Example: K8AB-PW1 with Pin 2 Turned OFF (Three-phase, Three-wire Mode) and Pins 3 and 4 Turned OFF (Rated Voltage of 200 V)

The rated input voltage is 200 VAC and the setting range is 140 to 250 V.

2. Undervoltage

Undervoltage is set using the undervoltage knob (UNDER).

The undervoltage can be set to between -30% and 25% of the rated input.

Turn the knob while there is an input to the input terminals until the alarm indicator flashes (when the set value and the input have reached the same level.)

Use this as a guide to set the voltage.

The rated input depends on the model and DIP switch setting.

Example: K8AB-PW1 with Pin 2 Turned OFF (Three-phase, Three-wire Mode) and Pins 3 and 4 Turned OFF (Rated Voltage of 200 V)

The rated input voltage is 200 VAC and the setting range is 140 to 250 V.

3. Operating Time

The operating time is set using the operating time knob (T).

The operating time can be set to between 0.1 and 30 s.

Turn the knob while there is an input to the input terminals until the alarm indicator flashes (when the set value and the input have reached the same level.)

Use this as a guide to set the current.

If the input exceeds (or drops lower than) the voltage setting, the alarm indicator will start flashing for the set period and then stay lit.

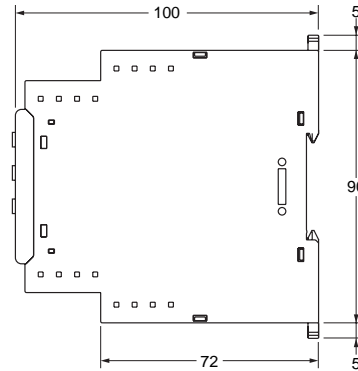
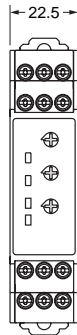
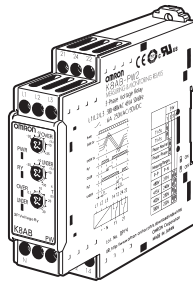
Dimensions

(Unit: mm)

Three-phase Voltage Relays

K8AB-PW1

K8AB-PW2



Safety Precautions

■ Precautions for Safe Use

Make sure to follow the instructions below to ensure safety.

1. Do not use or keep this product in the following environments.
 - Outdoors, or places subject to direct sunlight or wearing weather.
 - Places where dust, iron powder, or corrosive gases (in particular, sulfuric or ammonia gas) exist.
 - Places subject to static electricity or inductive noise.
 - Places where water or oil come in contact with the product.
2. Make sure to install this product in the correct direction.
3. There is a remote risk of electric shock. Do not touch terminals while electricity is being supplied.
4. Make sure to thoroughly understand all instructions in the Instructions Manual before handling this product.
5. Make sure to confirm terminal makings and polarity for correct wiring.
6. Tighten terminal screws firmly using the following torque.
Recommended tightening torque: 0.49 N·m
Maximum tightening torque: 0.54 N·m max.
7. Operating ambient temperature and humidity for this product must be within the indicated rating when using this product.
8. There is a remote risk of explosion. Do not use this product where flammable or explosive gas exists.
9. Make sure that no weight rests on the product after installation.
10. To enable an operator to turn off this product easily, install switches or circuit breakers that conform to relevant requirements of IEC60947-1 and IEC60947-3, and label them appropriately.

■ Precautions for Correct Use

For Proper Use

1. Do not use the product in the following locations.
 - Places subject to radiant heat from heat generating devices.
 - Places subject to vibrations or physical shocks.
2. Make sure to use setting values appropriate for the controlled object. Failure to do so can cause unintended operation, and may result in accident or corruption of the product.
3. Do not use thinner or similar solvent for cleaning. Use commercial alcohol.
4. When discarding, properly dispose of the product as industrial waste.
5. Only use this product within a board whose structure allows no possibility for fire to escape.

About Installation

1. When wiring, use only recommended crimp terminals.
2. Do not block areas around the product for proper dissipation of heat. (If you do not secure space for heat dissipation, life cycle of the product will be compromised.)
3. To avoid electrical shocks, make sure that power is not supplied to the product while wiring.
4. To avoid electrical shocks, make sure that power is not supplied to the product when performing DIP switch settings.

Noise Countermeasures

1. Do not install the product near devices generating strong high frequency waves or surges.
2. When using a noise filter, check the voltage and current and install it as close to the product as possible.
3. In order to prevent inductive noise, wire the lines connected to the product separately from power lines carrying high voltages or currents. Do not wire in parallel with or on the same cable as power lines.
Other measures for reducing noise include running lines along separate ducts and using shield lines.

To avoid faulty operations, malfunctions, or failure, observe the following operating instructions.

1. When turning on the power, make sure to realize rated voltage within 1 second from the time of first supply of electricity.
2. Make sure to use power supply for operations, inputs, and transformer with the appropriate capacity and rated burden.
3. Maintenance and handling of this product may only be performed by qualified personnel.
4. Distortion ratio of input wave forms must be 30% or less. Use of this product with circuits that have large distortion in wave forms may result in unwanted operations.
5. Using this product for thyristor controls or inverters will result in errors.
6. When setting the volume, adjust the control from the minimum side to the maximum side.

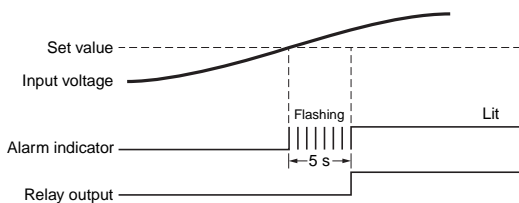
Questions and Answers

Q Checking Operation

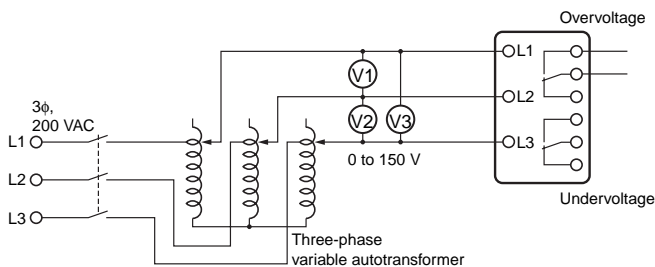
- A** **Overvoltage**
Gradually increase the input from 80% of the setting. The input value will equal the operating value when the input exceeds the setting and the alarm indicator starts flashing. Operation can be checked by the relay output that will start after the operating time has passed.
- Undervoltage**
Gradually decrease the input from 120% of the setting and check the operation using the same method as for overvoltage.

Example: For monitoring mode set to three-phase three-wire monitoring, a rated voltage of 200 V, and an operating time of 5 s.

Note: K8AB-PW□ output relays are normally operative.



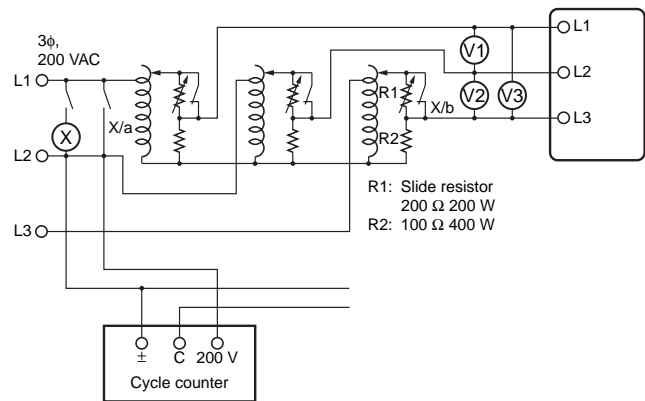
Connection Diagram



Q How to Measure the Operating Time

- A** **Overvoltage**
Change the input suddenly from 0% to 120% of the set value and measure the time until the Unit operates.
- Undervoltage**
Change the input suddenly from 120% to 0% of the set value and measure the time until the Unit operates.
- Operating Time**
Adjust the slide resistor so that the voltage applied to the K8AB terminals is 120% of the overvoltage set value or 80% of the undervoltage set value when the auxiliary relay operates in a test circuit. Close the switch and use the cycle counter to measure the operating time.

Connection Diagram



Q Operating Adjustment Knobs

- A** Use a screwdriver to turn the knobs. There is a stopper to prevent the knob from turning any further once it has been turned completely to the left or right. Do not force the knob past these limits.

Q Overvoltage Detection When Only One Phase Exceeds the Overvoltage Threshold

- A** The K8AB monitors each of the three-phase voltages. This means an overvoltage is detected if even only one phase exceeds the threshold value. The same applies to undervoltages.

Warranty and Application Considerations

Read and Understand this Catalog

Please read and understand this catalog before purchasing the products. Please consult your OMRON representative if you have any questions or comments.

Warranty and Limitations of Liability

WARRANTY

OMRON's exclusive warranty is that the products are free from defects in materials and workmanship for a period of one year (or other period if specified) from date of sale by OMRON.

OMRON MAKES NO WARRANTY OR REPRESENTATION, EXPRESS OR IMPLIED, REGARDING NON-INFRINGEMENT, MERCHANTABILITY, OR FITNESS FOR PARTICULAR PURPOSE OF THE PRODUCTS. ANY BUYER OR USER ACKNOWLEDGES THAT THE BUYER OR USER ALONE HAS DETERMINED THAT THE PRODUCTS WILL SUITABLY MEET THE REQUIREMENTS OF THEIR INTENDED USE. OMRON DISCLAIMS ALL OTHER WARRANTIES, EXPRESS OR IMPLIED.

LIMITATIONS OF LIABILITY

OMRON SHALL NOT BE RESPONSIBLE FOR SPECIAL, INDIRECT, OR CONSEQUENTIAL DAMAGES, LOSS OF PROFITS, OR COMMERCIAL LOSS IN ANY WAY CONNECTED WITH THE PRODUCTS, WHETHER SUCH CLAIM IS BASED ON CONTRACT, WARRANTY, NEGLIGENCE, OR STRICT LIABILITY.

In no event shall the responsibility of OMRON for any act exceed the individual price of the product on which liability is asserted.

IN NO EVENT SHALL OMRON BE RESPONSIBLE FOR WARRANTY, REPAIR, OR OTHER CLAIMS REGARDING THE PRODUCTS UNLESS OMRON'S ANALYSIS CONFIRMS THAT THE PRODUCTS WERE PROPERLY HANDLED, STORED, INSTALLED, AND MAINTAINED AND NOT SUBJECT TO CONTAMINATION, ABUSE, MISUSE, OR INAPPROPRIATE MODIFICATION OR REPAIR.

Application Considerations

SUITABILITY FOR USE

OMRON shall not be responsible for conformity with any standards, codes, or regulations that apply to the combination of products in the customer's application or use of the products.

Take all necessary steps to determine the suitability of the product for the systems, machines, and equipment with which it will be used. Know and observe all prohibitions of use applicable to this product.

NEVER USE THE PRODUCTS FOR AN APPLICATION INVOLVING SERIOUS RISK TO LIFE OR PROPERTY WITHOUT ENSURING THAT THE SYSTEM AS A WHOLE HAS BEEN DESIGNED TO ADDRESS THE RISKS, AND THAT THE OMRON PRODUCTS ARE PROPERLY RATED AND INSTALLED FOR THE INTENDED USE WITHIN THE OVERALL EQUIPMENT OR SYSTEM.

Disclaimers

PERFORMANCE DATA

Performance data given in this catalog is provided as a guide for the user in determining suitability and does not constitute a warranty. It may represent the result of OMRON's test conditions, and the users must correlate it to actual application requirements. Actual performance is subject to the OMRON *Warranty and Limitations of Liability*.

CHANGE IN SPECIFICATIONS

Product specifications and accessories may be changed at any time based on improvements and other reasons. Consult with your OMRON representative at any time to confirm actual specifications of purchased product.

DIMENSIONS AND WEIGHTS

Dimensions and weights are nominal and are not to be used for manufacturing purposes, even when tolerances are shown.

ALL DIMENSIONS SHOWN ARE IN MILLIMETERS.

To convert millimeters into inches, multiply by 0.03937. To convert grams into ounces, multiply by 0.03527.

OMRON Corporation Industrial Automation Company
Tokyo, JAPAN

Contact: www.ia.omron.com

Regional Headquarters

OMRON EUROPE B.V.

Wegalaan 67-69-2132 JD Hoofddorp
The Netherlands
Tel: (31)2356-81-300/Fax: (31)2356-81-388

OMRON ELECTRONICS LLC

One Commerce Drive Schaumburg,
IL 60173-5302 U.S.A.
Tel: (1) 847-843-7900/Fax: (1) 847-843-7787

OMRON ASIA PACIFIC PTE. LTD.

No. 438A Alexandra Road # 05-05/08 (Lobby 2),
Alexandra Technopark,
Singapore 119967
Tel: (65) 6835-3011/Fax: (65) 6835-2711

OMRON (CHINA) CO., LTD.

Room 2211, Bank of China Tower,
200 Yin Cheng Zhong Road,
PuDong New Area, Shanghai, 200120, China
Tel: (86) 21-5037-2222/Fax: (86) 21-5037-2200

Authorized Distributor:

© OMRON Corporation 2005 All Rights Reserved.
In the interest of product improvement,
specifications are subject to change without notice.

CSM_1_4_0813

Cat. No. N148-E1-02

Printed in Japan

0706-0.7M (0505) (C)