

Electromagnetic RFID System V700



- **Cost-effective and very reliable.**
- **It is ideal for use in conveyor sorting systems, tool identification in assembly lines, process control in automated production lines, inventory control in warehouses, general tracking and tracing of goods and optimizing distribution management.**
- **Tags for use in temperature ranges up to 180 °C**



Omron's V700 is a high-performance Radio Frequency Identification (RFID) system that can locate, track & trace and deliver important data on almost any kind of product or object in any industrial application. The system provides fast, reliable contact-less read/write (R/W) communication over long distances, even when operating in the toughest environmental coupled with the V700's integrated antenna and controller, make it a compact and cost-effective conditions. Low-cost ID tags, solution, especially in applications that require multiple tags. The V700's multiple read function enables it to provide convenient bulk identification, and controllers can be grouped together for synchronized reading/writing to prevent mutual interference.

Ordering information

List of Models

Name	Model	Specifications/Design
ID Tag	V700-D23P31 	20 dia. × t 2.7 mm Coin-shaped 256 bytes (with user area of 240 bytes)
	V700-D23P41 	3.9 dia. × 25 mm Stick-shaped 256 bytes (with user area of 240 bytes)
	V700-D23P61 	40 x 40 x 4.5 mm Square-shaped 256 bytes (with user area of 240 bytes)
ID Tag Holder	V700-A80 	Special holder for the V700-D23P31 (There is no ID Tag provided with the product.)
Compact Reader Writer	V700-HMD11 	40 × 53 × 23 mm RS-232C interface 5 VDC supplied via AC Adapter 2-m cable
	V700-HMD11-1 	RS-232C interface 5 VDC supplied from connector
ID Link Unit	V700-L12 	110 × 65 × 64 mm RS-232C and RS-485 interface Unit for multiple connections



A versatile system that's easily expandable. Any number of tags can be added to the V700 system, and it's also possible to keep expanding the system via RS-232C/RS-485 link units (V700-L12/ addressable). The V700 conforms to CE and FCC standards, making it suitable for use throughout Europe and the USA.

Tags that can handle the toughest conditions

The tags meet IEC IP67 requirements and are designed for the harshest environments. They can operate in temperatures varying from -40° to $+180^{\circ}\text{C}$ (for the V700-D23P31) during transmission, and are unaffected by storage temperatures ranging from -40° to $+110^{\circ}\text{C}$. Designed for long-term operation, these tags can be read to and written from more than 100.000 times! Their robust design makes them ideal for use in laundries, paint shops and almost any outdoor application.

No mutual interference

In a situation where several antennas are operating close together, it's possible to synchronize the controllers to prevent mutual interference of the antennae.

Dry cleaning

The ability of the V700's tags to withstand chemical influences and heat make them ideal for use in the extreme conditions associated with the chemical dry-cleaning process.




The compact tags can be sewn directly into garments, and remain attached even during cleaning, which makes the sorting process easier afterwards.

Paint-shop production lines

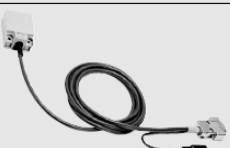

The V700 guarantees very reliable identification, especially when used with Omron PLCs and sensors, which makes it ideal for use in smart automation control. Postal sorting The V700 is like an electronic accompanying goods note, enabling operators to track and trace post boxes and optimize distribution management.

Specifications


ID Tags

Item	Model		
	V700-D23P31 	V700-D23P41 	V700-D23P61 
Memory capacity	240 bytes (user area)		
Memory type	EEPROM		
Data backup time	10 years after data written		
Data writing times	100,000 times per address		
Ambient operating temperature (during transmission)	-20 to 70°C (with no icing)	-25 to 70°C (with no icing)	-10 to 70°C
Ambient operating temperature (not during transmission)	-40 to 110°C (with no icing) Heat resistance: Constant high temperature: 180°C for 200 hours Thermal cycle: 25°C/180°C, 30 minutes, 200 cycles	-40 to 110°C (with no icing)	-10 to 70°C (with no icing)
Ambient storage temperature	-40 to 110°C (with no icing)	-40 to 110°C (with no icing)	-10 to 70°C (with no icing)
Ambient operating humidity	No restrictions	35% to 95% (with no condensation)	35% to 85%
Degree of protection	IEC 60529: IP68	IEC 60529: IP67	IEC 60529: IP67
Vibration resistance	10 to 2,000 Hz, 0.75-mm single amplitude, 150-m/s ² acceleration with 10 sweeps of 15 min each in X, Y, and Z directions		10 to 2,000 Hz, 1.5-mm double amplitude, acceleration maximum value 150-m/s ² with 10 sweeps of 15 min each in X, Y, and Z directions
Shock resistance	500-m/s ² acceleration for 3 times each in X, Y, and Z directions (18 times in total)		
Material	PPS resin	Case: PBT resin; Filling: Epoxy resin	ABS, filled with epoxy resin
Weight	Approx. 2 g	Approx. 1 g	Approx. 6 g


Compact Reader Writers

Item	Model	
	V700-HDM11 	V700-HMD11-1 
Host interface	RS-232C	
Power consumption	5 VDC ±5% (supplied via V600-A20 AC Adapter) Oscillating: 200 mA max.; Not oscillating: 25 mA max.	5 VDC ±5% (supplied via connector) 250 mA max.
Insulation resistance	50 MΩ min. (at 500 VDC) between the cable terminals and the case	
Dielectric strength	1,000 VAC (50/60 Hz, 1 minute) between the cable terminals and the case (leakage current: 1 mA max.)	
Vibration resistance	10 to 150 Hz, 1.50-mm double amplitude with 4 sweeps of 8 min each in X, Y, and Z directions	
Shock resistance	300-m/s ² acceleration for 3 times each in X, Y, and Z directions (18 times in total)	
Ambient operating temperature	-10 to 55°C (with no icing)	
Ambient operating humidity	25% to 85% (with no condensation)	
Ambient storage temperature	-25 to 65°C (with no icing)	
Ambient storage humidity	25% to 95% (with no condensation)	
Degree of protection	IEC 60529: IP67 The connector is not resistant to water or oil.	
Material	Case: ABS resin; Filling: Epoxy resin; Cable: PVC (oil-resistant)	
Cable length	2 m (RS-232C signal lines can be extended up to a total length of 15 m.)	1, 2, 4 m
Weight	Approx. 210 g	Approx. 210 g (2 m)

ID Link Unit

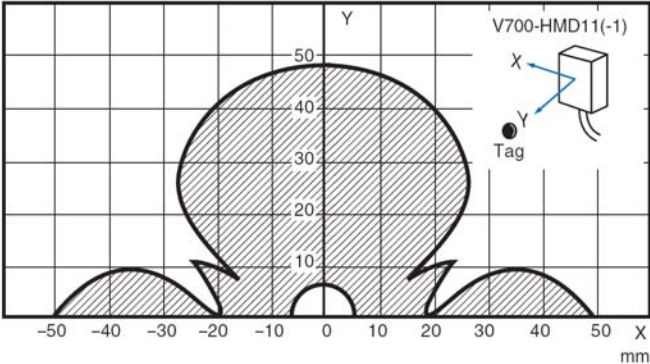
Item	V700-L12 
Host interface	RS-232C or RS-485 (special 1:N protocol)
Number of connectable Antennas	1
Power supply voltage	24 VDC +10%/-15%
Power consumption	10 W max.
Insulation resistance	50 MΩ min. (at 500 VDC) between the power supply terminals and the ground terminal
Dielectric strength	1,000 VAC (50/60 Hz, 1 minute) between the power supply terminals and the ground terminal (leakage current: 5 mA max.)
Vibration resistance	10 to 150 Hz, 0.20-mm double amplitude, 15-m/s ² acceleration with 10 sweeps of 8 min each in X, Y, and Z directions
Shock resistance	150-m/s ² acceleration for 3 times each in X, Y, and Z directions (18 times in total)
Ambient operating temperature	0 to 40° C (with no icing)
Ambient operating humidity	35% to 85% (with no condensation)
Ambient storage temperature	-15 to 50° C (with no icing)
Ambient storage humidity	35% to 85% (with no condensation)
Degree of protection	IEC 60529: IP20
Ground	Ground at a resistance of less than 100 Ω. If grounding is not performed properly, transmission specifications may be adversely affected by the surrounding environment.
Weight	Approx. 185 g

ID Tag Holder (for V700-D23P31 Coin-shaped ID Tag)

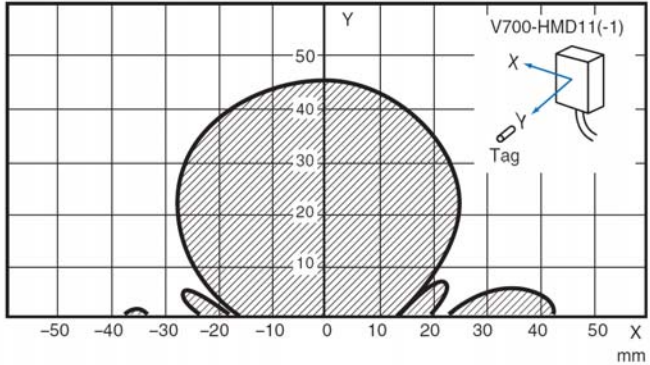
Item	V700-A80 
Ambient storage temperature	Conforms to the specifications for the V700-D13P31 Coin-shaped ID Tag.
Ambient operating humidity	No restrictions
Material	PPS resin
Weight	Approx. 5 g

Communication diagram

V700-HMD11(-1) & V700-D23P31



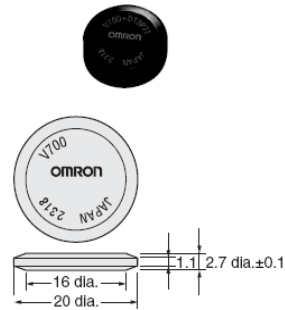
V700-HMD11(-1) & V700-D23P41



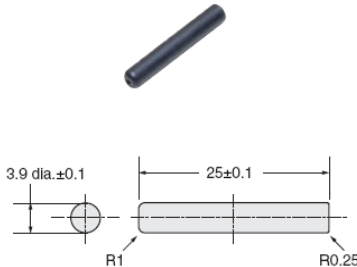
Dimension drawings – Tags & Reader

ID Tag

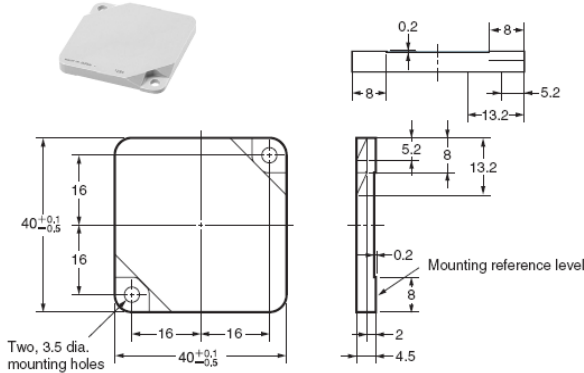
V700-D23P31
Coin-shaped ID Tag



V700-D23P41
Stick-shaped ID Tag

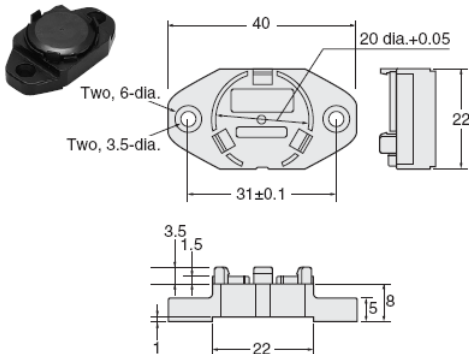


V700-D23P61
Square-shaped ID Tag



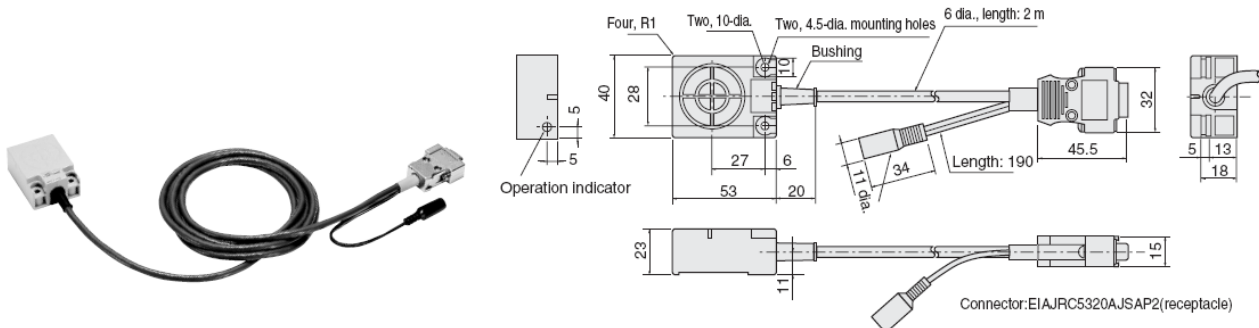
ID Tag Holder (for V700-D23P31)

V700-A80

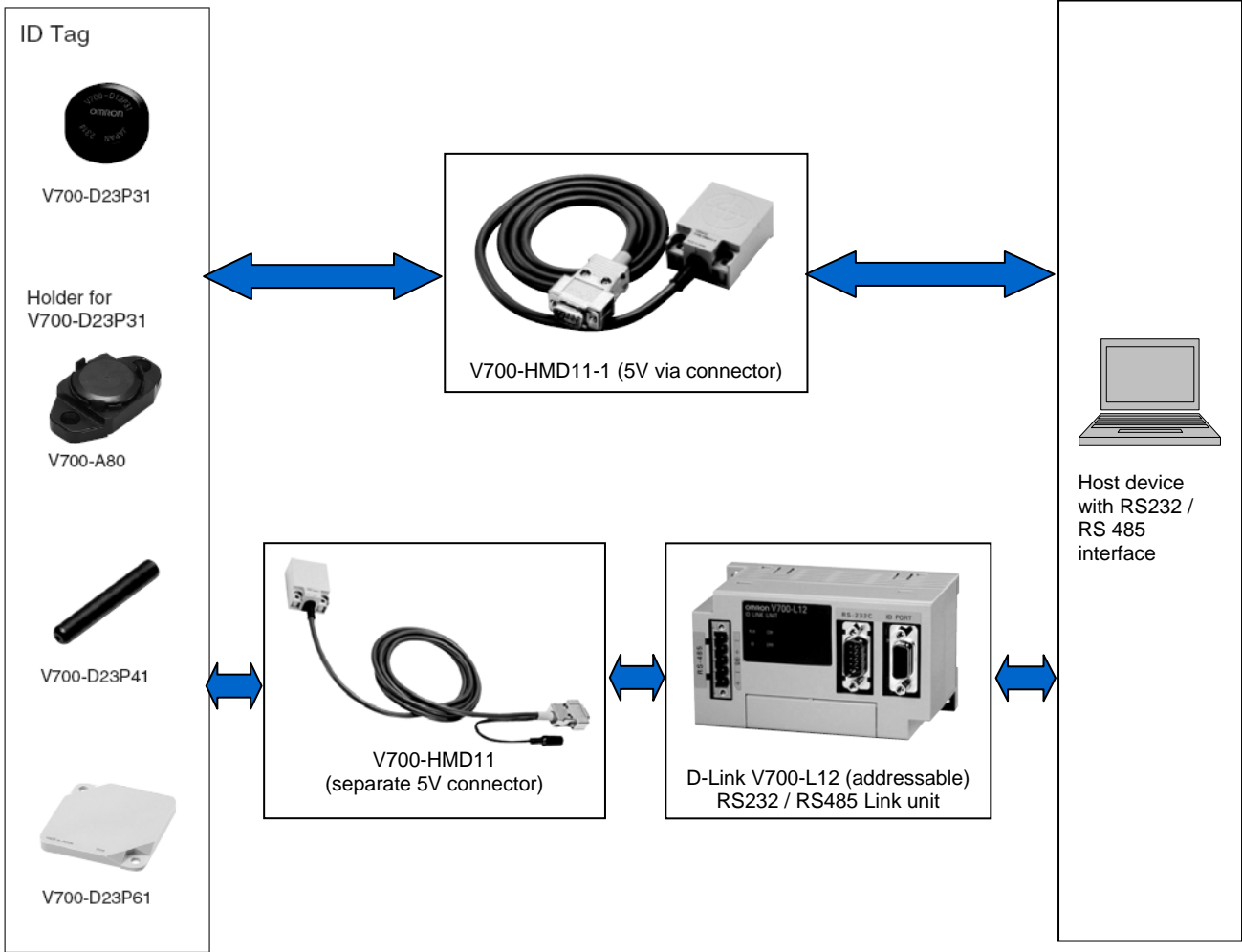


Compact Reader Writer

V700-HMD11



System Configuration



Functions

Transmission Functions

	V700-HMD11 /-1
Single access	Provided
FIFO	Provided
Multiple access	Not provided
Selective	Not provided

ID Tag	Transmission distance
V700-D23-P31	8 to 43 mm
V700-D23-P41	0 to 37 mm

Transmission Time (Reference)

The transmission time is the time required for transmission between antenna and ID tag and does not include time required for host communication.

V700-HMD11 /-1	
Read	$T = 48N + 66$
Write	$T = 55N + 120$

Note: T = Transmission time
N = Number of pages (1 page = 8 bytes)

Precautions for using the product near noise sources

This product makes transmissions to ID Tags using a frequency of 125kHz. Transceivers, motors, monitoring devices, and power supplies have parts that generate electromagnetic waves (noise). These waves may interfere with transmissions to ID Tags. Before using this product near these kinds of devices, check that there is no adverse affect on transmissions.

READ AND UNDERSTAND THIS DOCUMENT

Please read and understand this document before using the products. Please consult your OMRON representative if you have any questions or comments. WARRANTY OMRON's exclusive warranty is that the products are free from defects in materials and workmanship for a period of one year (or other period if specified) from date of sale by OMRON.

OMRON MAKES NO WARRANTY OR REPRESENTATION, EXPRESS OR IMPLIED, REGARDING NON-INFRINGEMENT, MERCHANTABILITY, OR FITNESS FOR PARTICULAR PURPOSE OF THE PRODUCTS. ANY BUYER OR USER ACKNOWLEDGES THAT THE BUYER OR USER ALONE HAS DETERMINED THAT THE PRODUCTS WILL SUITABLY MEET THE REQUIREMENTS OF THEIR INTENDED USE. OMRON DISCLAIMS ALL OTHER WARRANTIES, EXPRESS OR IMPLIED. LIMITATIONS OF LIABILITY OMRON SHALL NOT BE RESPONSIBLE FOR SPECIAL, INDIRECT, OR CONSEQUENTIAL DAMAGES, LOSS OF PROFITS OR COMMERCIAL LOSS IN ANYWAY CONNECTED WITH THE PRODUCTS, WHETHER SUCH CLAIM IS BASED ON CONTRACT, WARRANTY, NEGLIGENCE, OR STRICT LIABILITY. In no event shall responsibility of OMRON for any act exceed the individual price of the product on which liability is asserted. IN NO EVENT SHALL OMRON BE RESPONSIBLE FOR WARRANTY, REPAIR, OR OTHER CLAIMS REGARDING THE PRODUCTS UNLESS OMRON'S ANALYSIS CONFIRMS THAT THE PRODUCTS WERE PROPERLY HANDLED, STORED, INSTALLED, AND MAINTAINED AND NOT SUBJECT TO CONTAMINATION, ABUSE, MISUSE, OR INAPPROPRIATE MODIFICATION OR REPAIR. SUITABILITY FOR USE THE PRODUCTS CONTAINED IN THIS DOCUMENT ARE NOT SAFETY RATED. THEY ARE NOT DESIGNED OR RATED FOR ENSURING SAFETY OF PERSONS, AND SHOULD NOT BE RELIED UPON AS A SAFETY COMPONENT OR PROTECTIVE DEVICE FOR SUCH PURPOSES. Please refer to separate catalogs for OMRON's safety rated products. OMRON shall not be responsible for conformity with any standards, codes, or regulations that apply to the combination of products in the customer's application or use of the product. At the customer's request, OMRON will provide applicable third party certification documents identifying ratings and limitations of use that apply to the products. This information by itself is not sufficient for a complete determination of the suitability of the products in combination with the end product, machine, system, or other application or use. The following are some examples of applications for which particular attention must be given. This is not intended to be an exhaustive list of all possible uses of the products, nor is it intended to imply that the uses listed may be suitable for the products:

- Outdoor use, uses involving potential chemical contamination or electrical interference, or conditions or uses not described in this document.
- Nuclear energy control systems, combustion systems, railroad systems, aviation systems, medical equipment, amusement machines, vehicles, safety equipment, and installations subject to separate industry or government regulations.
- Systems, machines, and equipment that could present a risk to life or property.

Please know and observe all prohibitions of use applicable to the products.

NEVER USE THE PRODUCTS FOR AN APPLICATION INVOLVING SERIOUS RISK TO LIFE OR PROPERTY WITHOUT ENSURING THAT THE SYSTEM AS A WHOLE HAS BEEN DESIGNED TO ADDRESS THE RISKS, AND THAT THE OMRON PRODUCT IS PROPERLY RATED AND INSTALLED FOR THE INTENDED USE WITHIN THE OVERALL EQUIPMENT OR SYSTEM.

PERFORMANCE DATA

Performance data given in this document is provided as a guide for the user in determining suitability and does not constitute a warranty. It may represent the result of OMRON's test conditions, and the users must correlate it to actual application requirements. Actual performance is subject to the OMRON Warranty and Limitations of Liability.

CHANGE IN SPECIFICATIONS

Product specifications and accessories may be changed at any time based on improvements and other reasons. It is our practice to change model numbers when published ratings or features are changed, or when significant construction changes are made. However, some specifications of the product may be changed without any notice. When in doubt, special model numbers may be assigned to fix or establish key specifications for your application on your request. Please consult with your OMRON representative at any time to confirm actual specifications of purchased products.

