

Model

CQM1-PD016

Power Supply Unit

INSTRUCTION SHEET

Thank you for purchasing an OMRON product. Read this thoroughly and familiarize yourself with the functions and characteristics of the product before using it. Keep this instruction sheet for future reference.

© OMRON Manufacturing of The Netherlands B.V. 2001
All rights reserved.

0668345-7A


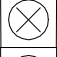

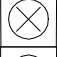
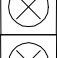

■ Specifications

Supply voltage	12 VDC
Operating voltage range	10.5 VDC to 16.5 VDC
Startup voltage	> 11.5 VDC
Power consumption	50 W max.
Inrush current	< 30 A
Output voltage range	5 VDC : -3 / +5 % 24 VDC : -15 / +10 %
Output current range	5 VDC : 5 A 24 VDC : 0.7 A
Output ripple	5 VDC : 100 mV 24 VDC : 300 mV
Overcurrent protection	5 VDC : > 5 A 24 VDC : > 0.7 A
Overvoltage category	II (IEC 664-1 tab. 1) Zone A
Power fail detect	yes
Insulation	500 VAC between input and PLC bus None between input and 24 V output
Dielectric strength	600 VDC for 1 min between DC external and GR terminals, leakage current 20 mA max.
Noise immunity	1200 Vp-p, pulse width: 100 ns to 1 µs, rise time: 1 ns (via noise simulation).
Vibration resistance	10 to 57 Hz, 0.075 mm amplitude, 57 to 150 Hz, acceleration 1G in X, Y and Z directions for 80 minutes each
Shock resistance	12G 3 times each in X, Y and Z directions
Ambient temperature	Operating : 0 °C to 50 °C Storage : -20 °C to 75 °C
Humidity	10 % to 90 % (without condensation)
Weight	620 g max.
Dimensions	443 x 110 x 107 mm (W x H x D)

■ Indicators

Name	Color	Function
POWER	Green	Lit when unit is operating normally.

■ Terminals

NC		Not connected
DC 12V INPUT		Provide a 12 VDC power supply
		Protective Earth terminal
DC 24V 0.7A OUTPUT		Use the 24 VDC 0.7 A output terminals to supply power to DC input units
		

■ Wiring

Use power lines of at least 2 mm². Provide the grounding point on the DIN-track as close to the CQM1 PLC as possible.

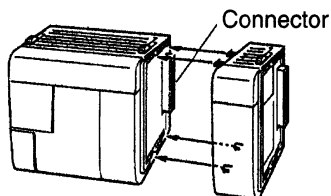
■ Crimp connectors

Use crimp connectors for M3.5 screws.

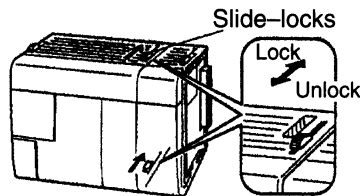


■ Connecting Units and DIN-track mounting

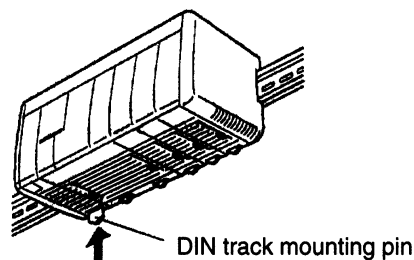
Connect the units so that the connectors mate with each other.



Lock the yellow slide-locks on the top and bottom of the Power Supply Unit.



Lock the DIN-track mounting pin.



Note : Specifications subject to change without notice